



funkcje



Klasa ochrony IP68, IP66

Zakres temperatury -40 ° C - 100 ° C

Materiał Dławik poliamidowy UL94-V0, gwint przyłącza Mosiądz niklowany, Uszczelka TPU

Produkty mogą różnić się rozmiarem, kolorem i wyglądem od przedstawionych. Jeśli potrzebujesz dodatkowych informacji lub dostosowania, skontaktuj się z nami bezpośrednio.



WISKA-No.	Type	RAL-No.	NW	 D (mm)	 L (mm)	 SW 1 (mm)	 SW 2 (mm)	TL (mm)	
10107993	EMBF45CG-12-16-BK	RAL 9005	12	M16x1,5	5 mm	22 mm	24 mm	90,2 mm - 98,2 mm	50
10107994	EMBF45CG-17-20-BK	RAL 9005	17	M20x1,5	6 mm	27 mm	24 mm	89,8 mm - 97,8 mm	50
10107995	EMBF45CG-23-25-BK	RAL 9005	23	M25x1,5	7 mm	36 mm	29 mm	107,9 mm - 116,9 mm	25
10107996	EMBF45CG-29-32-BK	RAL 9005	29	M32x1,5	8 mm	41 mm	36 mm	116,8 mm - 124,8 mm	25
10107997	EMBF45CG-36-40-BK	RAL 9005	36	M40x1,5	8 mm	50 mm	46 mm	132,6 mm - 143,6 mm	5
10107998	EMBF45CG-48-50-BK	RAL 9005	48	M50x1,5	9 mm	60 mm	55 mm	150,8 mm - 161,8 mm	5
10107987	EMBF45CG-12-16-BG	RAL 7031	12	M16x1,5	5 mm	22 mm	24 mm	90,2 mm - 98,2 mm	50
10107988	EMBF45CG-17-20-BG	RAL 7031	17	M20x1,5	6 mm	27 mm	24 mm	89,8 mm - 97,8 mm	50
10107989	EMBF45CG-23-25-BG	RAL 7031	23	M25x1,5	7 mm	36 mm	29 mm	107,9 mm - 116,9 mm	25
10107990	EMBF45CG-29-32-BG	RAL 7031	29	M32x1,5	8 mm	41 mm	36 mm	116,8 mm - 124,8 mm	25
10107991	EMBF45CG-36-40-BG	RAL 7031	36	M40x1,5	8 mm	50 mm	46 mm	132,6 mm - 143,6 mm	5
10107992	EMBF45CG-48-50-BG	RAL 7031	48	M50x1,5	9 mm	60 mm	55 mm	150,8 mm - 161,8 mm	5



EU DECLARATION OF CONFORMITY



WISKA Hoppmann GmbH
Kisdorfer Weg 28
24568 Kaltenkirchen
Germany



declares under the sole responsibility that the following product:

Product designation:	Plastic corrugated pipe fitting
Type designation:	*(*)BF*(*)-**-**
Approval number:	deleted
Description:	Plastic corrugated pipe fitting for electrical installations

corresponds to all the relevant provisions of the directives listed below and valid harmonized and / or international and national standards - including all applicable changes at this time of issuing this document.

Directive	Standard
2014/35/EU Electrical apparatus (Low voltage directive)	EN 61386-1:2008 + A1:2019 EN 61386-23:2004 + A11:2010
2014/34/EU Equipment and protective systems intended for use in potentially explosive atmospheres (ATEX)	Not applicable acc. to article 1, para. 1
2014/30/EU Electromagnetic compatibility (EMC directive)	Not applicable acc. to article 2, para. 2d)
2011/65/EU Use of certain hazardous substances (RoHS II)	EN IEC 63000:2018

Name and address of the person who is authorized to compile the technical documentation together:

WISKA Hoppmann GmbH
Kisdorfer Weg 28
24568 Kaltenkirchen / Germany

Kaltenkirchen, 2020-08-06


.....
Head of Development CAS



Brace® System

Kunststoff-Sortiment / *Non-metallic range*

BraceFITTING



BraceCONDUIT



Metall-Sortiment / *Metallic range*

BraceFITTING

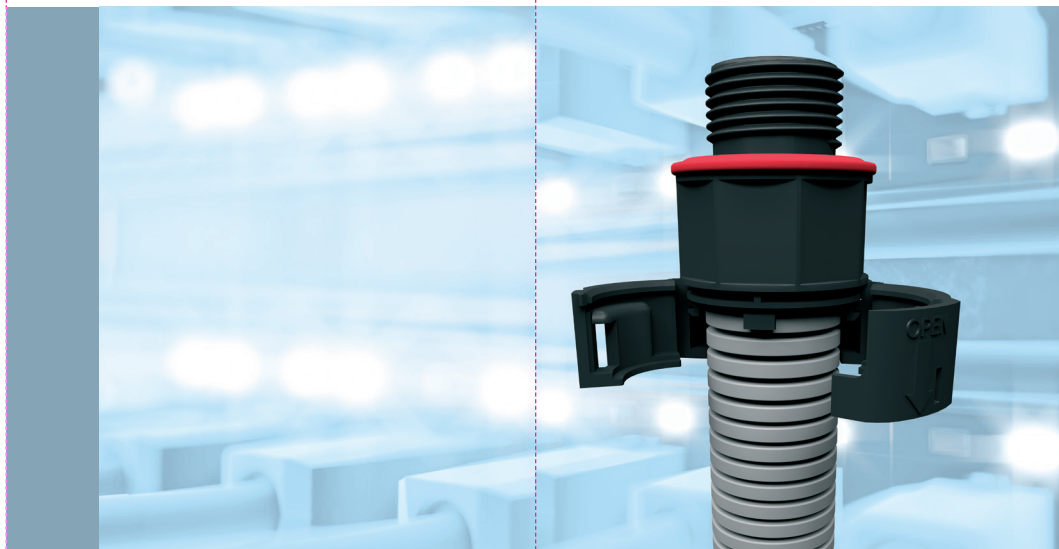


BraceCONDUIT





WISKA 
make power smile

WISKA 
make power smile



WISKA Hoppmann GmbH
Kisdorfer Weg 28
24568 Kaltenkirchen
Germany

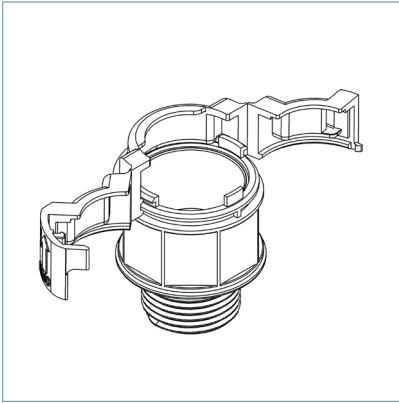
 +49-4191-508-0
 +49-4191-508-129

contact@wiska.de
www.wiska.com

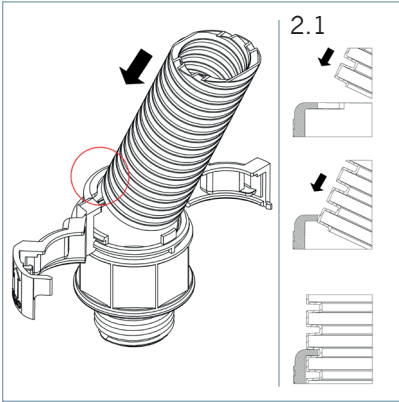
BraceFITTING

Wellrohrverschraubung /
Conduit Fitting

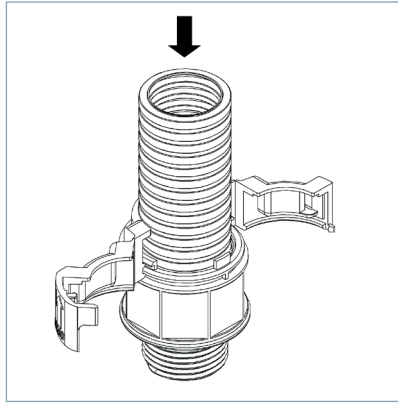
1.



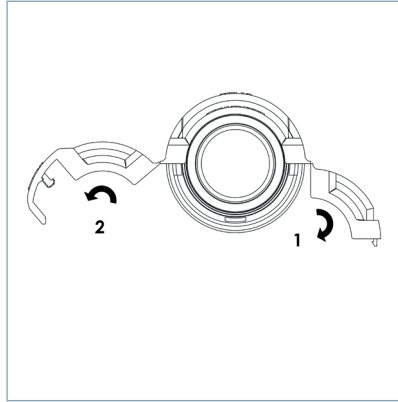
2.



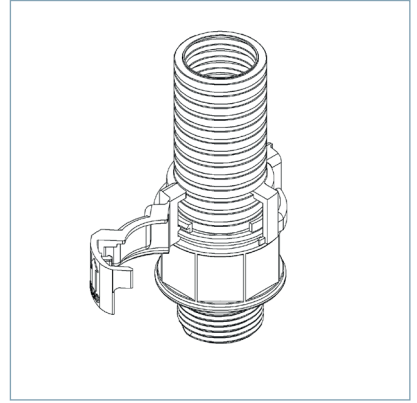
3.



4.



5.



6.

