



funkcje



BRACE

cULus



hätögen







Klasa ochrony IP68, IP66

Zakres temperatury -40 ° C - 100 ° C

Materiał Dławiak poliamidowy UL94-V0, Gwint przyłączeniowy poliamid UL94-V0, Uszczelka TPU



| WISKA-No. | Type | RAL-No. | NW |  |  |  | TL (mm) | UL 1696 |  |
|-----------|----------------|----------|----|---|---|---|------------|---------|---|
| 10108891 | EBF90-10-12-BK | RAL 9005 | 10 | M12x1,5 | 9 mm | 20 mm | 33,6 mm | tak | 50 |
| 10106974 | EBF90-07-12-BK | RAL 9005 | 7 | M12x1,5 | 9 mm | 17 mm | 32 mm | Nie | 50 |
| 10106975 | EBF90-10-16-BK | RAL 9005 | 10 | M16x1,5 | 10,5 mm | 20 mm | 36,7 mm | tak | 50 |
| 10106976 | EBF90-12-16-BK | RAL 9005 | 12 | M16x1,5 | 10,5 mm | 22 mm | 36,7 mm | tak | 50 |
| 10108892 | EBF90-12-20-BK | RAL 9005 | 12 | M20x1,5 | 12 mm | 22 mm | 40,8 mm | tak | 50 |
| 10106977 | EBF90-17-20-BK | RAL 9005 | 17 | M20x1,5 | 12 mm | 27 mm | 43,5 mm | tak | 50 |
| 10108893 | EBF90-17-25-BK | RAL 9005 | 17 | M25x1,5 | 13 mm | 27 mm | 50 mm | tak | 50 |
| 10106978 | EBF90-23-25-BK | RAL 9005 | 23 | M25x1,5 | 13 mm | 36 mm | 51,5 mm | tak | 25 |
| 10108894 | EBF90-23-32-BK | RAL 9005 | 23 | M32x1,5 | 13 mm | 36 mm | 55,5 mm | tak | 25 |
| 10106979 | EBF90-29-32-BK | RAL 9005 | 29 | M32x1,5 | 13 mm | 41 mm | 58 mm | tak | 10 |
| 10108895 | EBF90-29-40-BK | RAL 9005 | 29 | M40x1,5 | 14,5 mm | 41 mm | 69,3 mm | tak | 10 |
| 10106980 | EBF90-36-40-BK | RAL 9005 | 36 | M40x1,5 | 14,5 mm | 50 mm | 74,8 mm | tak | 10 |
| 10108896 | EBF90-36-50-BK | RAL 9005 | 36 | M50x1,5 | 16 mm | 50 mm | 79,8 mm | tak | 10 |
| 10106981 | EBF90-48-50-BK | RAL 9005 | 48 | M50x1,5 | 16 mm | 60 mm | 86 mm | tak | 5 |
| 10108897 | EBF90-48-63-BK | RAL 9005 | 48 | M63x1,5 | 17,5 mm | 60 mm | 90,2 mm | tak | 5 |
| 10106966 | EBF90-07-12-BG | RAL 7031 | 7 | M12x1,5 | 9 mm | 17 mm | 32 mm | Nie | 50 |
| 10108884 | EBF90-10-12-BG | RAL 7031 | 10 | M12x1,5 | 9 mm | 20 mm | 33,6 mm | tak | 50 |
| 10106967 | EBF90-10-16-BG | RAL 7031 | 10 | M16x1,5 | 10,5 mm | 20 mm | 36,7 mm | tak | 50 |
| 10106968 | EBF90-12-16-BG | RAL 7031 | 12 | M16x1,5 | 10,5 mm | 22 mm | 36,7 mm | tak | 50 |
| 10108885 | EBF90-12-20-BG | RAL 7031 | 12 | M20x1,5 | 12 mm | 22 mm | 40,8 mm | tak | 50 |
| 10106969 | EBF90-17-20-BG | RAL 7031 | 17 | M20x1,5 | 12 mm | 27 mm | 43,5 mm | tak | 50 |
| 10108886 | EBF90-17-25-BG | RAL 7031 | 17 | M25x1,5 | 13 mm | 27 mm | 50 mm | tak | 50 |
| 10106970 | EBF90-23-25-BG | RAL 7031 | 23 | M25x1,5 | 13 mm | 36 mm | 51,5 mm | tak | 25 |
| 10108887 | EBF90-23-32-BG | RAL 7031 | 23 | M32x1,5 | 13 mm | 36 mm | 55,5 mm | tak | 25 |
| 10106971 | EBF90-29-32-BG | RAL 7031 | 29 | M32x1,5 | 13 mm | 41 mm | 58 mm | tak | 10 |
| 10108888 | EBF90-29-40-BG | RAL 7031 | 29 | M40x1,5 | 14,5 mm | 41 mm | 69,3 mm | tak | 10 |
| 10106972 | EBF90-36-40-BG | RAL 7031 | 36 | M40x1,5 | 14,5 mm | 50 mm | 74,8 mm | tak | 10 |
| 10108889 | EBF90-36-50-BG | RAL 7031 | 36 | M50x1,5 | 16 mm | 50 mm | 79,8 mm | tak | 10 |
| 10106973 | EBF90-48-50-BG | RAL 7031 | 48 | M50x1,5 | 16 mm | 60 mm | 86 mm | tak | 5 |
| 10108890 | EBF90-48-63-BG | RAL 7031 | 48 | M63x1,5 | 17,5 mm | 60 mm | 90,2 mm | tak | 5 |



EU DECLARATION OF CONFORMITY



WISKA Hoppmann GmbH
Kisdorfer Weg 28
24568 Kaltenkirchen
Germany



declares under the sole responsibility that the following product:

| | |
|----------------------|--|
| Product designation: | Plastic corrugated pipe fitting |
| Type designation: | *(*)BF*(*)-**-** |
| Approval number: | deleted |
| Description: | Plastic corrugated pipe fitting for electrical installations |

corresponds to all the relevant provisions of the directives listed below and valid harmonized and / or international and national standards - including all applicable changes at this time of issuing this document.

| Directive | Standard |
|--|--|
| 2014/35/EU Electrical apparatus (Low voltage directive) | EN 61386-1:2008 + A1:2019 EN 61386-23:2004 + A11:2010 |
| 2014/34/EU Equipment and protective systems intended for use in potentially explosive atmospheres (ATEX) | Not applicable acc. to article 1, para. 1 |
| 2014/30/EU Electromagnetic compatibility (EMC directive) | Not applicable acc. to article 2, para. 2d) |
| 2011/65/EU Use of certain hazardous substances (RoHS II) | EN IEC 63000:2018 |

Name and address of the person who is authorized to compile the technical documentation together:

WISKA Hoppmann GmbH
Kisdorfer Weg 28
24568 Kaltenkirchen / Germany

Kaltenkirchen, 2020-08-06


.....
Head of Development CAS



CERTIFICATE OF COMPLIANCE

Certificate Number 20190806-E502921
Report Reference E502921-20190730
Issue Date 2019-AUGUST-06

Issued to: WISKA Hoppmann GmbH
Kisdorfer Weg 28
24568 Kaltenkirchen Germany

**This certificate confirms that
representative samples of**

Component - Tubing, Mechanical Protection and Fittings
Refer to the Addendum Pages for Models

Have been investigated by UL in accordance with the component requirements in the Standard(s) indicated on this Certificate. UL Recognized components are incomplete in certain constructional features or restricted in performance capabilities and are intended for installation in complete equipment submitted for investigation to UL LLC.

Standard(s) for Safety: UL 1696, Mechanical Protection Tubing (Mpt) and Fittings
CSA C22.2 NO. 227.3-15, Nonmetallic Mechanical Protection Tubing (NMPT)

Additional Information: See the UL Online Certifications Directory at <https://iq.ulprospector.com> for additional information.

This *Certificate of Compliance* does not provide authorization to apply the UL Recognized Component Mark. Only the UL Follow-Up Services Procedure provides authorization to apply the UL Mark.

Only those products bearing the UL Recognized Component Mark should be considered as being UL Certified and covered under UL's Follow-Up Services.

Look for the UL Recognized Component Mark on the product.



Bruce Mahrenholz, Director North American Certification Program
UL LLC

Any information and documentation involving UL Mark services are provided on behalf of UL LLC (UL) or any authorized licensee of UL. For questions, please contact a local UL Customer Service Representative at <http://ul.com/aboutul/locations/>



CERTIFICATE OF COMPLIANCE

Certificate Number 20190806-E502921
Report Reference E502921-20190730
Issue Date 2019-AUGUST-06

This is to certify that representative samples of the product as specified on this certificate were tested according to the current UL requirements.

Component – Tubing, mechanical protection, BraceConduit BCA-S

| Series: BraceConduit BCA-S | | |
|----------------------------|-------------|-------------|
| Size | Color | |
| | Black | Blue-Gray |
| 9.9 | BCA-S-10-BK | BCA-S-10-BG |
| 12.2 | BCA-S-12-BK | BCA-S-12-BG |
| 16.6 | BCA-S-17-BK | BCA-S-17-BG |
| 23.2 | BCA-S-23-BK | BCA-S-23-BG |
| 29.0 | BCA-S-29-BK | BCA-S-29-BG |
| 36.0 | BCA-S-36-BK | BCA-S-36-BG |
| 47.7 | BCA-S-48-BK | BCA-S-48-BG |

Component – Fittings for Series BraceConduit BCA-S as described in Tables A - I.

| Table A | | |
|-----------------------------|---------------|---------------|
| BraceFITTING EBFS, Straight | | |
| Size | Color | |
| | Black | Gray |
| 10 | EBFS-10-12-BK | EBFS-10-12-BG |
| 10 | EBFS-10-16-BK | EBFS-10-16-BG |
| 12 | EBFS-12-16-BK | EBFS-12-16-BG |
| 12 | EBFS-12-20-BK | EBFS-12-20-BG |
| 17 | EBFS-17-20-BK | EBFS-17-20-BG |
| 17 | EBFS-17-25-BK | EBFS-17-25-BG |
| 23 | EBFS-23-25-BK | EBFS-23-25-BG |
| 23 | EBFS-23-32-BK | EBFS-23-32-BG |
| 29 | EBFS-29-32-BK | EBFS-29-32-BG |
| 29 | EBFS-29-40-BK | EBFS-29-40-BG |
| 36 | EBFS-36-40-BK | EBFS-36-40-BG |
| 36 | EBFS-36-50-BK | EBFS-36-50-BG |
| 48 | EBFS-48-50-BK | EBFS-48-50-BG |
| 48 | EBFS-48-63-BK | EBFS-48-63-BG |



Bruce Mahrenholz, Director North American Certification Program
 UL LLC



Any information and documentation involving UL Mark services are provided on behalf of UL LLC (UL) or any authorized licensee of UL. For questions, please contact a local UL Customer Service Representative at <http://ul.com/aboutul/locations/>

CERTIFICATE OF COMPLIANCE

Certificate Number 20190806-E502921
Report Reference E502921-20190730
Issue Date 2019-AUGUST-06

| Table B | | |
|------------------------------|----------------|----------------|
| BraceFITTING EMBFS, straight | | |
| Size | Color | |
| | Black | Gray |
| 10 | EMBFS-10-16-BK | EMBFS-10-16-BG |
| 10 | EMBFS-10-20-BK | EMBFS-10-20-BG |
| 12 | EMBFS-12-16-BK | EMBFS-12-16-BG |
| 12 | EMBFS-12-20-BK | EMBFS-12-20-BG |
| 17 | EMBFS-17-20-BK | EMBFS-17-20-BG |
| 17 | EMBFS-17-25-BK | EMBFS-17-25-BG |
| 23 | EMBFS-23-25-BK | EMBFS-23-25-BG |
| 23 | EMBFS-23-32-BK | EMBFS-23-32-BG |
| 29 | EMBFS-29-32-BK | EMBFS-29-32-BG |
| 29 | EMBFS-29-40-BK | EMBFS-29-40-BG |
| 36 | EMBFS-36-40-BK | EMBFS-36-40-BG |
| 36 | EMBFS-36-50-BK | EMBFS-36-50-BG |
| 48 | EMBFS-48-50-BK | EMBFS-48-50-BG |
| 48 | EMBFS-48-63-BK | EMBFS-48-63-BG |

| Table C | | |
|-------------------------------|-----------------|-----------------|
| BraceFITTING EMBFSI, straight | | |
| Size | Color | |
| | Black | Gray |
| 10 | EMBFSI-10-16-BK | EMBFSI-10-16-BG |
| 12 | EMBFSI-12-16-BK | EMBFSI-12-16-BG |
| 12 | EMBFSI-12-20-BK | EMBFSI-12-20-BG |
| 17 | EMBFSI-17-20-BK | EMBFSI-17-20-BG |
| 23 | EMBFSI-23-25-BK | EMBFSI-23-25-BG |
| 29 | EMBFSI-29-32-BK | EMBFSI-29-32-BG |
| 36 | EMBFSI-36-40-BK | EMBFSI-36-40-BG |
| 48 | EMBFSI-48-50-BK | EMBFSI-48-50-BG |



Bruce Mahrenholz, Director North American Certification Program
 UL LLC



Any information and documentation involving UL Mark services are provided on behalf of UL LLC (UL) or any authorized licensee of UL. For questions, please contact a local UL Customer Service Representative at <http://ul.com/aboutul/locations/>

CERTIFICATE OF COMPLIANCE

Certificate Number 20190806-E502921
Report Reference E502921-20190730
Issue Date 2019-AUGUST-06

| Table D | | |
|-------------------------------|----------------|----------------|
| BraceFITTING 45° Angle, EBF45 | | |
| Size | Color | |
| | Black | Gray |
| 10 | EBF45-10-12-BK | EBF45-10-12-BG |
| 10 | EBF45-10-16-BK | EBF45-10-16-BG |
| 12 | EBF45-12-16-BK | EBF45-12-16-BG |
| 12 | EBF45-12-20-BK | EBF45-12-20-BG |
| 17 | EBF45-17-20-BK | EBF45-17-20-BG |
| 17 | EBF45-17-25-BK | EBF45-17-25-BG |
| 23 | EBF45-23-25-BK | EBF45-23-25-BG |
| 23 | EBF45-23-32-BK | EBF45-23-32-BG |
| 29 | EBF45-29-32-BK | EBF45-29-32-BG |
| 29 | EBF45-29-40-BK | EBF45-29-40-BG |
| 36 | EBF45-36-40-BK | EBF45-36-40-BG |
| 36 | EBF45-36-50-BK | EBF45-36-50-BG |
| 48 | EBF45-48-50-BK | EBF45-48-50-BG |
| 48 | EBF45-48-63-BK | EBF45-48-63-BG |

| Table E | | |
|--------------------------------|-----------------|-----------------|
| BraceFITTING 45° Angle, EMBF45 | | |
| Size | Color | |
| | Black | Gray |
| 10 | EMBF45-10-12-BK | EMBF45-10-12-BG |
| 10 | EMBF45-10-16-BK | EMBF45-10-16-BG |
| 12 | EMBF45-12-16-BK | EMBF45-12-16-BG |
| 12 | EMBF45-12-20-BK | EMBF45-12-20-BG |
| 17 | EMBF45-17-20-BK | EMBF45-17-20-BG |
| 17 | EMBF45-17-25-BK | EMBF45-17-25-BG |
| 23 | EMBF45-23-25-BK | EMBF45-23-25-BG |
| 23 | EMBF45-23-32-BK | EMBF45-23-32-BG |
| 29 | EMBF45-29-32-BK | EMBF45-29-32-BG |
| 29 | EMBF45-29-40-BK | EMBF45-29-40-BG |
| 36 | EMBF45-36-40-BK | EMBF45-36-40-BG |
| 36 | EMBF45-36-50-BK | EMBF45-36-50-BG |
| 48 | EMBF45-48-50-BK | EMBF45-48-50-BG |
| 48 | EMBF45-48-63-BK | EMBF45-48-63-BG |



Bruce Mahrenholz, Director North American Certification Program
 UL LLC



Any information and documentation involving UL Mark services are provided on behalf of UL LLC (UL) or any authorized licensee of UL. For questions, please contact a local UL Customer Service Representative at <http://ul.com/aboutul/locations/>

CERTIFICATE OF COMPLIANCE

Certificate Number 20190806-E502921
Report Reference E502921-20190730
Issue Date 2019-AUGUST-06

| Table F | | |
|---------------------------------|------------------|------------------|
| BraceFITTING 45° Angle, EMBF45I | | |
| Size | Color | |
| | Black | Gray |
| 12 | EMBF45I-12-16-BK | EMBF45I-12-16-BG |
| 12 | EMBF45I-12-20-BK | EMBF45I-12-20-BG |
| 17 | EMBF45I-17-20-BK | EMBF45I-17-20-BG |
| 23 | EMBF45I-23-25-BK | EMBF45I-23-25-BG |
| 29 | EMBF45I-29-32-BK | EMBF45I-29-32-BG |
| 36 | EMBF45I-36-40-BK | EMBF45I-36-40-BG |
| 48 | EMBF45I-48-50-BK | EMBF45I-48-50-BG |

| Table G | | |
|-------------------------------|----------------|----------------|
| BraceFITTING 90° Angle, EBF90 | | |
| Size | Color | |
| | Black | Gray |
| 10 | EBF90-10-12-BK | EBF90-10-12-BG |
| 10 | EBF90-10-16-BK | EBF90-10-16-BG |
| 12 | EBF90-12-16-BK | EBF90-12-16-BG |
| 12 | EBF90-12-20-BK | EBF90-12-20-BG |
| 17 | EBF90-17-20-BK | EBF90-17-20-BG |
| 17 | EBF90-17-25-BK | EBF90-17-25-BG |
| 23 | EBF90-23-25-BK | EBF90-23-25-BG |
| 23 | EBF90-23-32-BK | EBF90-23-32-BG |
| 29 | EBF90-29-32-BK | EBF90-29-32-BG |
| 29 | EBF90-29-40-BK | EBF90-29-40-BG |
| 36 | EBF90-36-40-BK | EBF90-36-40-BG |
| 36 | EBF90-36-50-BK | EBF90-36-50-BG |
| 48 | EBF90-48-50-BK | EBF90-48-50-BG |
| 48 | EBF90-48-63-BK | EBF90-48-63-BG |



Bruce Mahrenholz, Director North American Certification Program
 UL LLC



Any information and documentation involving UL Mark services are provided on behalf of UL LLC (UL) or any authorized licensee of UL. For questions, please contact a local UL Customer Service Representative at <http://ul.com/aboutul/locations/>

CERTIFICATE OF COMPLIANCE

Certificate Number 20190806-E502921
Report Reference E502921-20190730
Issue Date 2019-AUGUST-06

| Table H | | |
|--------------------------------|-----------------|-----------------|
| BraceFITTING 90° Angle, EMBF90 | | |
| Size | Color | |
| | Black | Gray |
| 10 | EMBF90-10-12-BK | EMBF90-10-12-BG |
| 10 | EMBF90-10-16-BK | EMBF90-10-16-BG |
| 12 | EMBF90-12-16-BK | EMBF90-12-16-BG |
| 12 | EMBF90-12-20-BK | EMBF90-12-20-BG |
| 17 | EMBF90-17-20-BK | EMBF90-17-20-BG |
| 17 | EMBF90-17-25-BK | EMBF90-17-25-BG |
| 23 | EMBF90-23-25-BK | EMBF90-23-25-BG |
| 23 | EMBF90-23-32-BK | EMBF90-23-32-BG |
| 29 | EMBF90-29-32-BK | EMBF90-29-32-BG |
| 29 | EMBF90-29-40-BK | EMBF90-29-40-BG |
| 36 | EMBF90-36-40-BK | EMBF90-36-40-BG |
| 36 | EMBF90-36-50-BK | EMBF90-36-50-BG |
| 48 | EMBF90-48-50-BK | EMBF90-48-50-BG |
| 48 | EMBF90-48-63-BK | EMBF90-48-63-BG |

| Table I | | |
|---------------------------------|------------------|------------------|
| BraceFITTING 90° Angle, EMBF90I | | |
| Size | Color | |
| | Black | Gray |
| 10 | EMBF90I-10-16-BK | EMBF90I-10-16-BG |
| 12 | EMBF90I-12-16-BK | EMBF90I-12-16-BG |
| 12 | EMBF90I-12-20-BK | EMBF90I-12-20-BG |
| 17 | EMBF90I-17-20-BK | EMBF90I-17-20-BG |
| 23 | EMBF90I-23-25-BK | EMBF90I-23-25-BG |
| 29 | EMBF90I-29-32-BK | EMBF90I-29-32-BG |
| 36 | EMBF90I-36-40-BK | EMBF90I-36-40-BG |
| 48 | EMBF90I-48-50-BK | EMBF90I-48-50-BG |



Bruce Mahrenholz, Director North American Certification Program
 UL LLC



Any information and documentation involving UL Mark services are provided on behalf of UL LLC (UL) or any authorized licensee of UL. For questions, please contact a local UL Customer Service Representative at <http://ul.com/aboutul/locations/>

Brace® System

Kunststoff-Sortiment / *Non-metallic range*

BraceFITTING



BraceCONDUIT



Metall-Sortiment / *Metallic range*

BraceFITTING

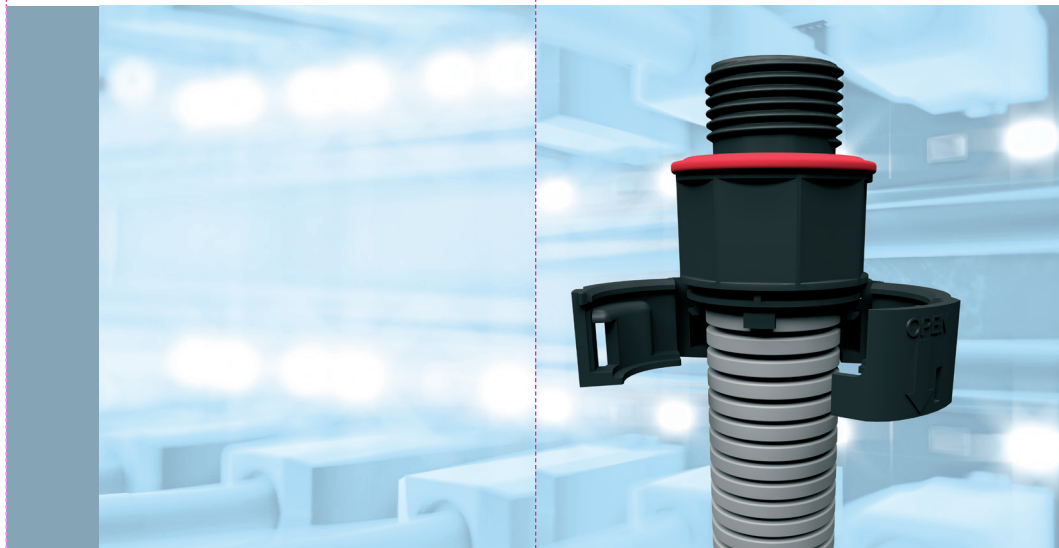


BraceCONDUIT



WISKA 
make power smile

WISKA 
make power smile



WISKA Hoppmann GmbH
Kisdorfer Weg 28
24568 Kaltenkirchen
Germany

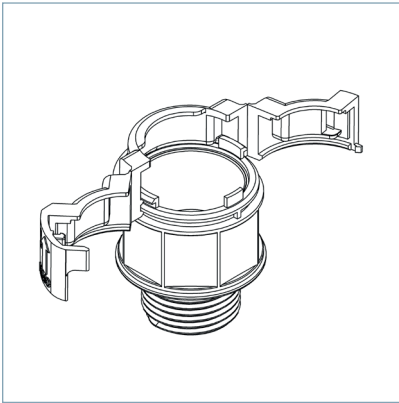
☎ +49-4191-508-0
📠 +49-4191-508-129

contact@wiska.de
www.wiska.com

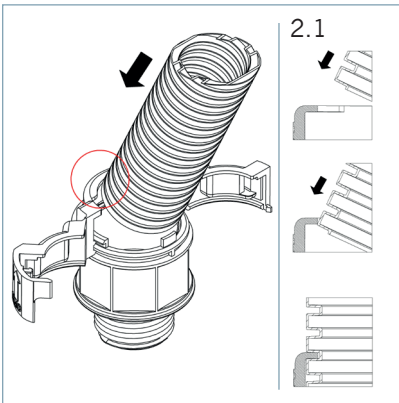
BraceFITTING

Wellrohrverschraubung /
Conduit Fitting

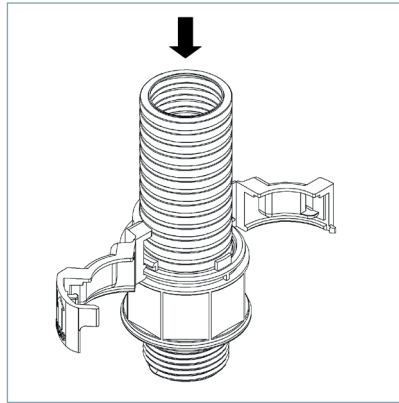
1.



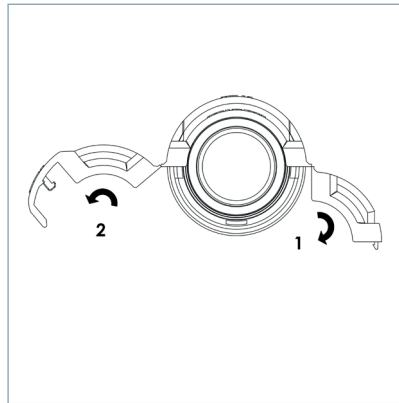
2.



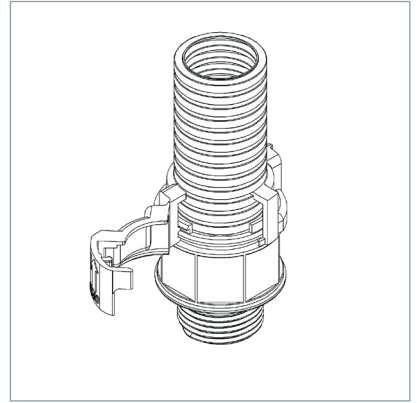
3.



4.



5.



6.

