



## funkcje

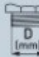





**Klasa ochrony** IP66, IP68

**Zakres temperatury** -40 ° C - 100 ° C

**Materiał** Dławik poliamidowy UL94-V0, Gwint przyłączeniowy poliamid UL94-V0, Uszczelka TPU



WISKA-No.	Type	RAL-No.	NW				TL (mm)	UL 1696	
10108876	EBF45-10-12-BK	RAL 9005	10	M12x1,5	9 mm	20 mm	50,6 mm	tak	50
10106956	EBF45-07-12-BK	RAL 9005	7	M12x1,5	9 mm	17 mm	47,2 mm	Nie	50
10106957	EBF45-10-16-BK	RAL 9005	10	M16x1,5	12 mm	20 mm	53,2 mm	tak	50
10106958	EBF45-12-16-BK	RAL 9005	12	M16x1,5	12 mm	22 mm	53,4 mm	tak	50
10108877	EBF45-12-20-BK	RAL 9005	12	M20x1,5	12 mm	22 mm	57,2 mm	tak	50
10106959	EBF45-17-20-BK	RAL 9005	17	M20x1,5	12 mm	27 mm	60,8 mm	tak	50
10108878	EBF45-17-25-BK	RAL 9005	17	M25x1,5	13 mm	27 mm	65,1 mm	tak	50
10106960	EBF45-23-25-BK	RAL 9005	23	M25x1,5	13 mm	36 mm	73,4 mm	tak	25
10108879	EBF45-23-32-BK	RAL 9005	23	M32x1,5	13 mm	36 mm	76,3 mm	tak	25
10106961	EBF45-29-32-BK	RAL 9005	29	M32x1,5	13 mm	41 mm	80 mm	tak	10
10108880	EBF45-29-40-BK	RAL 9005	29	M40x1,5	14,5 mm	41 mm	85,8 mm	tak	10
10106962	EBF45-36-40-BK	RAL 9005	36	M40x1,5	14,5 mm	50 mm	89,5 mm	tak	10
10108881	EBF45-36-50-BK	RAL 9005	36	M50x1,5	16 mm	50 mm	95,9 mm	tak	10
10106963	EBF45-48-50-BK	RAL 9005	48	M50x1,5	16 mm	60 mm	100,8 mm	tak	5
10108883	EBF45-48-63-BK	RAL 9005	48	M63x1,5	17,5 mm	60 mm	104,3 mm	tak	5
10106948	EBF45-07-12-BG	RAL 7031	7	M12x1,5	9 mm	17 mm	47,2 mm	Nie	50
10108870	EBF45-10-12-BG	RAL 7031	10	M12x1,5	9 mm	20 mm	50,6 mm	tak	50
10106949	EBF45-10-16-BG	RAL 7031	10	M16x1,5	12 mm	20 mm	53,2 mm	tak	50
10106950	EBF45-12-16-BG	RAL 7031	12	M16x1,5	12 mm	22 mm	53,4 mm	tak	50
10108871	EBF45-12-20-BG	RAL 7031	12	M20x1,5	12 mm	22 mm	57,2 mm	tak	50
10106951	EBF45-17-20-BG	RAL 7031	17	M20x1,5	12 mm	27 mm	60,8 mm	tak	50
10108872	EBF45-17-25-BG	RAL 7031	17	M25x1,5	13 mm	27 mm	65,1 mm	tak	50
10106952	EBF45-23-25-BG	RAL 7031	23	M25x1,5	13 mm	36 mm	73,4 mm	tak	25
10108873	EBF45-23-32-BG	RAL 7031	23	M32x1,5	13 mm	36 mm	76,3 mm	tak	25
10106953	EBF45-29-32-BG	RAL 7031	29	M32x1,5	13 mm	41 mm	80 mm	tak	10
10108874	EBF45-29-40-BG	RAL 7031	29	M40x1,5	14,5 mm	41 mm	85,8 mm	tak	10
10106954	EBF45-36-40-BG	RAL 7031	36	M40x1,5	14,5 mm	50 mm	89,5 mm	tak	10
10108875	EBF45-36-50-BG	RAL 7031	36	M50x1,5	16 mm	50 mm	95,9 mm	tak	10
10106955	EBF45-48-50-BG	RAL 7031	48	M50x1,5	16 mm	60 mm	100,8 mm	tak	5
10108882	EBF45-48-63-BG	RAL 7031	48	M63x1,5	17,5 mm	60 mm	104,3 mm	tak	5



# EU DECLARATION OF CONFORMITY



WISKA Hoppmann GmbH  
Kisdorfer Weg 28  
24568 Kaltenkirchen  
Germany



declares under the sole responsibility that the following product:

Product designation:	Plastic corrugated pipe fitting
Type designation:	*(*)BF*(*)-**-**
Approval number:	deleted
Description:	Plastic corrugated pipe fitting for electrical installations

corresponds to all the relevant provisions of the directives listed below and valid harmonized and / or international and national standards - including all applicable changes at this time of issuing this document.

Directive	Standard
2014/35/EU Electrical apparatus (Low voltage directive)	EN 61386-1:2008 + A1:2019 EN 61386-23:2004 + A11:2010
2014/34/EU Equipment and protective systems intended for use in potentially explosive atmospheres (ATEX)	Not applicable acc. to article 1, para. 1
2014/30/EU Electromagnetic compatibility (EMC directive)	Not applicable acc. to article 2, para. 2d)
2011/65/EU Use of certain hazardous substances (RoHS II)	EN IEC 63000:2018

Name and address of the person who is authorized to compile the technical documentation together:

WISKA Hoppmann GmbH  
Kisdorfer Weg 28  
24568 Kaltenkirchen / Germany

Kaltenkirchen, 2020-08-06

  
 .....  
 Head of Development CAS



## Brace® System

### Kunststoff-Sortiment / *Non-metallic range*

#### BraceFITTING



#### BraceCONDUIT



### Metall-Sortiment / *Metallic range*

#### BraceFITTING

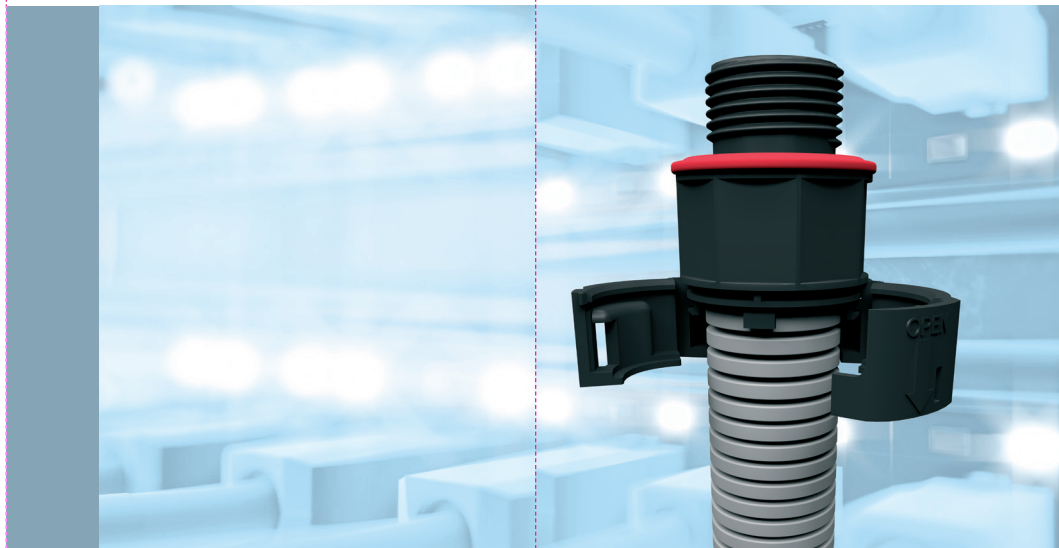


#### BraceCONDUIT



**WISKA**   
make power smile

**WISKA**   
make power smile



**WISKA Hoppmann GmbH**  
Kisdorfer Weg 28  
24568 Kaltenkirchen  
Germany

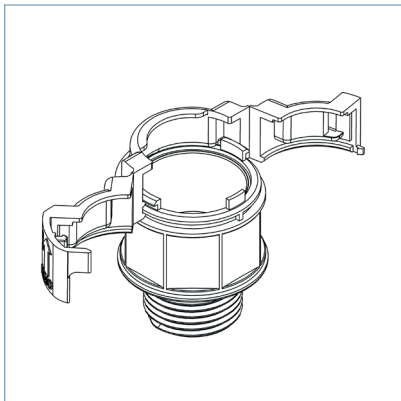
☎ +49-4191-508-0  
📠 +49-4191-508-129

contact@wiska.de  
www.wiska.com

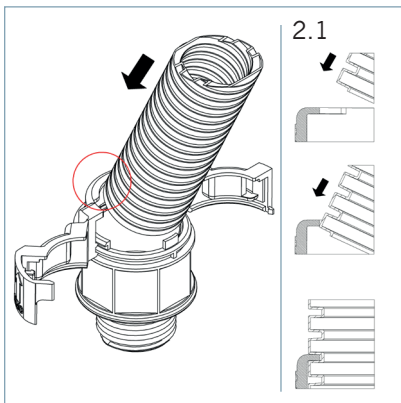
## BraceFITTING

Wellrohrverschraubung /  
Conduit Fitting

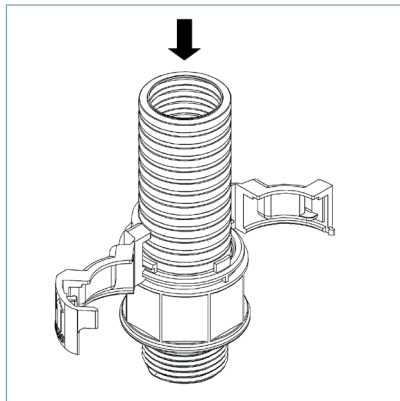
1.



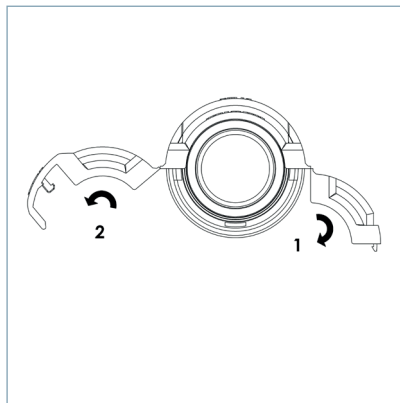
2.



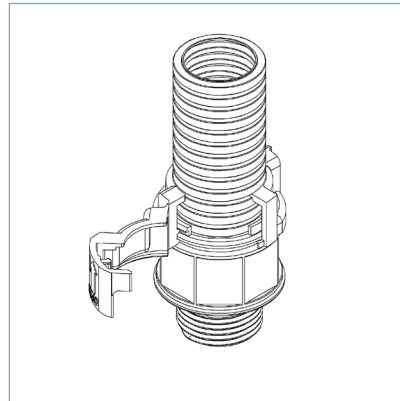
3.



4.



5.



6.

