



funkcje



Klasa ochrony IP68

Zakres temperatury -40 ° C - 100 ° C

Materiał Dławik poliamidowy UL94-V0, Gwint przyłączeniowy poliamid UL94-V0, Uszczelka TPU



WISKA-No.	Type	RAL-No.	NW					TL (mm)	
10109740	EBFSI-10-16-BK	RAL 9005	10	M16x1,5	10,5 mm	20 mm	20 mm	45 mm	50
10109741	EBFSI-12-20-BK	RAL 9005	12	M20x1,5	12,5 mm	22 mm	23 mm	45,2 mm	50
10109742	EBFSI-17-25-BK	RAL 9005	17	M25x1,5	12,5 mm	27 mm	28 mm	47,5 mm	50
10109743	EBFSI-23-32-BK	RAL 9005	23	M32x1,5	14,5 mm	36 mm	36 mm	56,3 mm	25
10109744	EBFSI-29-40-BK	RAL 9005	29	M40x1,5	14,5 mm	41 mm	44 mm	59 mm	10
10109745	EBFSI-36-50-BK	RAL 9005	36	M50x1,5	15,5 mm	50 mm	54 mm	60,3 mm	10
10109746	EBFSI-48-63-BK	RAL 9005	48	M63x1,5	16,5 mm	60 mm	67 mm	62,8 mm	5
10109747	EBFSI-10-16-BG	RAL 7031	10	M16x1,5	10,5 mm	20 mm	20 mm	45 mm	50
10109748	EBFSI-12-20-BG	RAL 7031	12	M20x1,5	12,5 mm	22 mm	23 mm	45,2 mm	50
10109749	EBFSI-17-25-BG	RAL 7031	17	M25x1,5	12,5 mm	27 mm	28 mm	47,5 mm	50
10109750	EBFSI-23-32-BG	RAL 7031	23	M32x1,5	14,5 mm	36 mm	36 mm	56,3 mm	25
10109751	EBFSI-29-40-BG	RAL 7031	29	M40x1,5	14,5 mm	41 mm	44 mm	59 mm	10
10109752	EBFSI-36-50-BG	RAL 7031	36	M50x1,5	15,5 mm	50 mm	54 mm	60,3 mm	10
10109753	EBFSI-48-63-BG	RAL 7031	48	M63x1,5	16,5 mm	60 mm	67 mm	62,8 mm	5



EU DECLARATION OF CONFORMITY



WISKA Hoppmann GmbH
Kisdorfer Weg 28
24568 Kaltenkirchen
Germany



declares under the sole responsibility that the following product:

Product designation:	Plastic corrugated pipe fitting
Type designation:	*(*)BF*(*)-**-**
Approval number:	deleted
Description:	Plastic corrugated pipe fitting for electrical installations

corresponds to all the relevant provisions of the directives listed below and valid harmonized and / or international and national standards - including all applicable changes at this time of issuing this document.

Directive	Standard
2014/35/EU Electrical apparatus (Low voltage directive)	EN 61386-1:2008 + A1:2019 EN 61386-23:2004 + A11:2010
2014/34/EU Equipment and protective systems intended for use in potentially explosive atmospheres (ATEX)	Not applicable acc. to article 1, para. 1
2014/30/EU Electromagnetic compatibility (EMC directive)	Not applicable acc. to article 2, para. 2d)
2011/65/EU Use of certain hazardous substances (RoHS II)	EN IEC 63000:2018

Name and address of the person who is authorized to compile the technical documentation together:

WISKA Hoppmann GmbH
Kisdorfer Weg 28
24568 Kaltenkirchen / Germany

Kaltenkirchen, 2020-08-06



 Head of Development CAS



Brace® System

Kunststoff-Sortiment / *Non-metallic range*

BraceFITTING



BraceCONDUIT



Metall-Sortiment / *Metallic range*

BraceFITTING

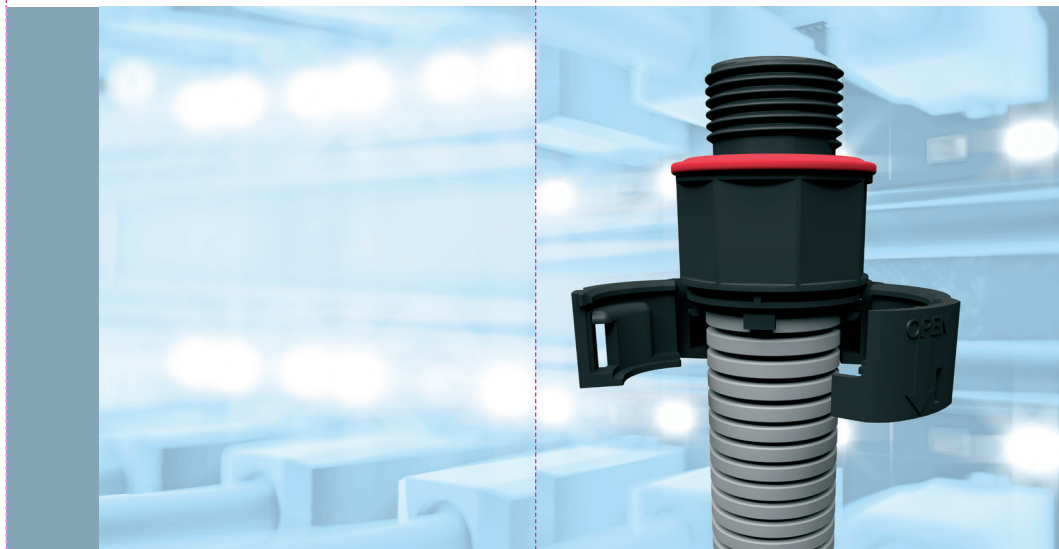


BraceCONDUIT



WISKA ®
make power smile

WISKA ®
make power smile



WISKA Hoppmann GmbH
Kisdorfer Weg 28
24568 Kaltenkirchen
Germany

☎ +49-4191-508-0
📠 +49-4191-508-129

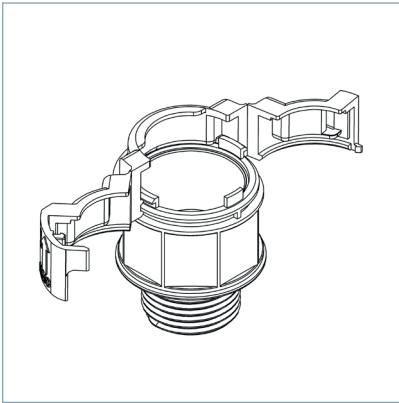
contact@wiska.de
www.wiska.com

BraceFITTING, Article Nr. 50106821, 09/19

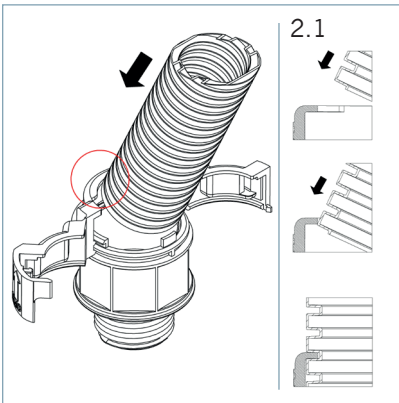
BraceFITTING

Wellrohrverschraubung /
Conduit Fitting

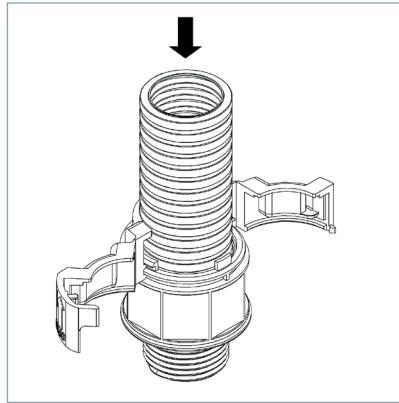
1.



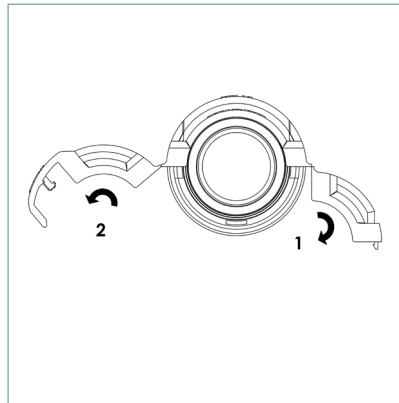
2.



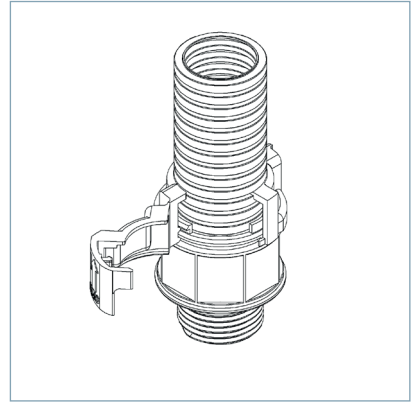
3.



4.



5.



6.

