



## funkcje



**Klasa ochrony** IP66, IP68

**Zakres temperatury** -40 ° C - 100 ° C

**Materiał** Dławiak poliamidowy UL94-V0, gwint przyłącza Mosiądz niklowany, Uszczelka TPU

Produkty mogą różnić się rozmiarem, kolorem i wyglądem od przedstawionych. Jeśli potrzebujesz dodatkowych informacji lub dostosowania, skontaktuj się z nami bezpośrednio.



WISKA-No.	Type	RAL-No.	NW					TL (mm)	
10107379	EMBFSCG-10-16-BK	RAL 9005	10	M16x1,5	5 mm	20 mm	20 mm	63,7 mm - 71,7 mm	50
10107380	EMBFSCG-12-16-BK	RAL 9005	12	M16x1,5	5 mm	22 mm	24 mm	68 mm - 76 mm	50
10107381	EMBFSCG-12-20-BK	RAL 9005	12	M20x1,5	6 mm	22 mm	24 mm	64,9 mm - 72,9 mm	50
10107382	EMBFSCG-17-20-BK	RAL 9005	17	M20x1,5	6 mm	27 mm	24 mm	66,4 mm - 74,4 mm	50
10107383	EMBFSCG-23-25-BK	RAL 9005	23	M25x1,5	7 mm	36 mm	29 mm	76,8 mm - 85,8 mm	25
10107384	EMBFSCG-29-32-BK	RAL 9005	29	M32x1,5	8 mm	41 mm	36 mm	82,2 mm - 90,2 mm	25
10107385	EMBFSCG-36-40-BK	RAL 9005	36	M40x1,5	8 mm	50 mm	46 mm	91,3 mm - 102,3 mm	5
10107386	EMBFSCG-48-50-BK	RAL 9005	48	M50x1,5	9 mm	60 mm	55 mm	98,5 mm - 109,5 mm	5
10107371	EMBFSCG-10-16-BG	RAL 7031	10	M16x1,5	5 mm	20 mm	20 mm	63,7 mm - 71,7 mm	50
10107372	EMBFSCG-12-16-BG	RAL 7031	12	M16x1,5	5 mm	22 mm	24 mm	68 mm - 76 mm	50
10107373	EMBFSCG-12-20-BG	RAL 7031	12	M20x1,5	6 mm	22 mm	24 mm	64,9 mm - 72,9 mm	50
10107374	EMBFSCG-17-20-BG	RAL 7031	17	M20x1,5	6 mm	27 mm	24 mm	66,4 mm - 74,4 mm	50
10107375	EMBFSCG-23-25-BG	RAL 7031	23	M25x1,5	7 mm	36 mm	29 mm	76,8 mm - 85,8 mm	25
10107376	EMBFSCG-29-32-BG	RAL 7031	29	M32x1,5	8 mm	41 mm	36 mm	82,2 mm - 90,2 mm	25
10107377	EMBFSCG-36-40-BG	RAL 7031	36	M40x1,5	8 mm	50 mm	46 mm	91,3 mm - 102,3 mm	5
10107378	EMBFSCG-48-50-BG	RAL 7031	48	M50x1,5	9 mm	60 mm	55 mm	98,5 mm - 109,5 mm	5



# EU DECLARATION OF CONFORMITY



WISKA Hoppmann GmbH  
Kisdorfer Weg 28  
24568 Kaltenkirchen  
Germany



declares under the sole responsibility that the following product:

Product designation:	Plastic corrugated pipe fitting
Type designation:	*(*)BF*(*)-**-**
Approval number:	deleted
Description:	Plastic corrugated pipe fitting for electrical installations

corresponds to all the relevant provisions of the directives listed below and valid harmonized and / or international and national standards - including all applicable changes at this time of issuing this document.

Directive	Standard
2014/35/EU Electrical apparatus (Low voltage directive)	EN 61386-1:2008 + A1:2019 EN 61386-23:2004 + A11:2010
2014/34/EU Equipment and protective systems intended for use in potentially explosive atmospheres (ATEX)	Not applicable acc. to article 1, para. 1
2014/30/EU Electromagnetic compatibility (EMC directive)	Not applicable acc. to article 2, para. 2d)
2011/65/EU Use of certain hazardous substances (RoHS II)	EN IEC 63000:2018

Name and address of the person who is authorized to compile the technical documentation together:

WISKA Hoppmann GmbH  
Kisdorfer Weg 28  
24568 Kaltenkirchen / Germany

Kaltenkirchen, 2020-08-06

  
 .....  
 Head of Development CAS



## Brace® System

### Kunststoff-Sortiment / *Non-metallic range*

#### BraceFITTING



#### BraceCONDUIT



### Metall-Sortiment / *Metallic range*

#### BraceFITTING

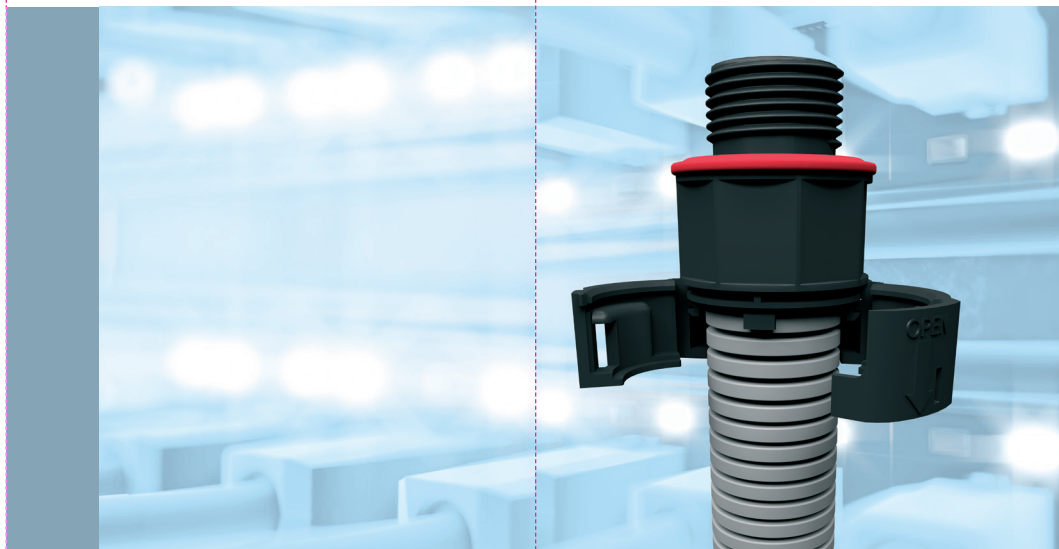


#### BraceCONDUIT



**WISKA**   
make power smile

**WISKA**   
make power smile



**WISKA Hoppmann GmbH**  
Kisdorfer Weg 28  
24568 Kaltenkirchen  
Germany

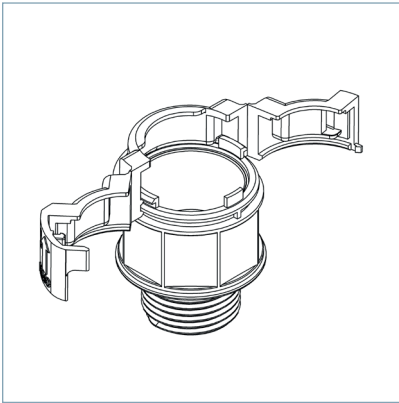
☎ +49-4191-508-0  
📠 +49-4191-508-129

contact@wiska.de  
www.wiska.com

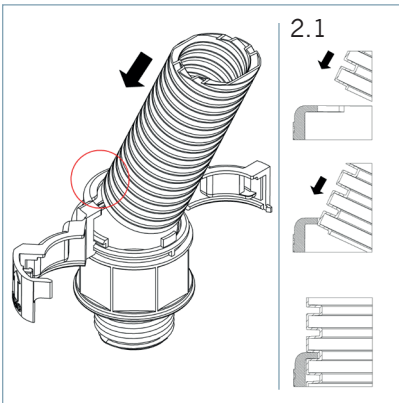
## BraceFITTING

Wellrohrverschraubung /  
Conduit Fitting

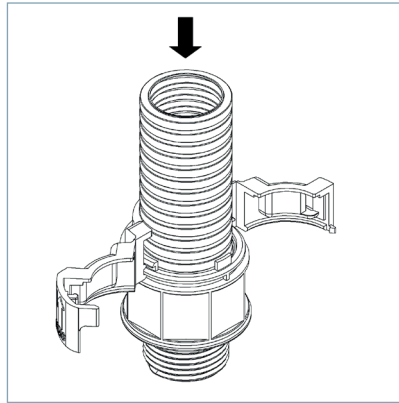
1.



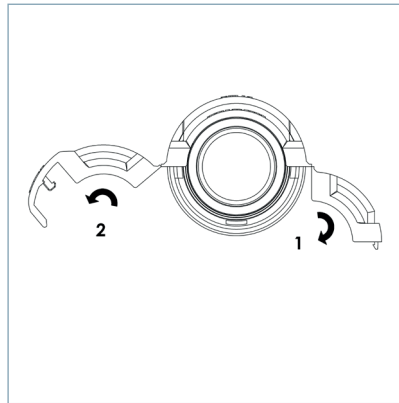
2.



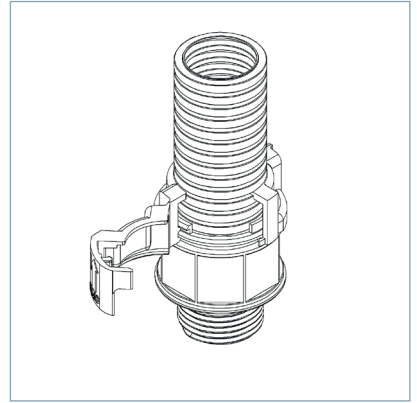
3.



4.



5.



6.

