



funkcje



BRACE

c AL US



halogen



Klasa ochrony IP68, IP66

Zakres temperatury -40 ° C - 100 ° C

Materiał Dławik poliamidowy UL94-V0, gwint przyłącza Mosiądz nikielowany, Uszczelka TPU

Produkty mogą różnić się rozmiarem, kolorem i wyglądem od przedstawionych. Jeśli potrzebujesz dodatkowych informacji lub dostosowania, skontaktuj się z nami bezpośrednio.



WISKA-No.	Type	RAL-No.	NW	D (mm)	TL (mm)	SW 1 (mm)	SW 2 (mm)	TL (mm)	UL 1696	
10107319	EMBF45-10-12-BK	RAL 9005	10	M12x1,5	12 mm	20 mm	20 mm	62,1 mm	tak	50
10107318	EMBF45-07-12-BK	RAL 9005	7	M12x1,5	9 mm	18 mm	17 mm	55,7 mm	Nie	50
10107320	EMBF45-10-16-BK	RAL 9005	10	M16x1,5	12 mm	22 mm	20 mm	62 mm	tak	50
10107321	EMBF45-12-16-BK	RAL 9005	12	M16x1,5	12 mm	23 mm	22 mm	63,8 mm	tak	50
10107322	EMBF45-12-20-BK	RAL 9005	12	M20x1,5	12 mm	23 mm	22 mm	63,8 mm	tak	50
10107323	EMBF45-17-20-BK	RAL 9005	17	M20x1,5	12 mm	30 mm	27 mm	69,4 mm	tak	50
10107324	EMBF45-17-25-BK	RAL 9005	17	M25x1,5	12 mm	30 mm	27 mm	69,3 mm	tak	50
10107325	EMBF45-23-25-BK	RAL 9005	23	M25x1,5	12 mm	36 mm	36 mm	80,9 mm	tak	25
10107326	EMBF45-23-32-BK	RAL 9005	23	M32x1,5	12 mm	36 mm	36 mm	81,9 mm	tak	25
10107327	EMBF45-29-32-BK	RAL 9005	29	M32x1,5	12 mm	46 mm	41 mm	88,5 mm	tak	10
10107328	EMBF45-29-40-BK	RAL 9005	29	M40x1,5	12 mm	46 mm	41 mm	87,5 mm	tak	10
10107329	EMBF45-36-40-BK	RAL 9005	36	M40x1,5	12 mm	50 mm	50 mm	96,5 mm	tak	10
10107330	EMBF45-36-50-BK	RAL 9005	36	M50x1,5	14 mm	50 mm	50 mm	98,5 mm	tak	10
10107331	EMBF45-48-50-BK	RAL 9005	48	M50x1,5	14 mm	65 mm	60 mm	107,9 mm	tak	5
10107332	EMBF45-48-63-BK	RAL 9005	48	M63x1,5	14 mm	70 mm	60 mm	108,3 mm	tak	5
10106982	EMBF45-07-12-BG	RAL 7031	7	M12x1,5	9 mm	18 mm	17 mm	55,7 mm	Nie	50
10106983	EMBF45-10-12-BG	RAL 7031	10	M12x1,5	12 mm	20 mm	20 mm	62,1 mm	tak	50
10106984	EMBF45-10-16-BG	RAL 7031	10	M16x1,5	12 mm	22 mm	20 mm	62,1 mm	tak	50
10106985	EMBF45-12-16-BG	RAL 7031	12	M16x1,5	12 mm	23 mm	22 mm	63,8 mm	tak	50
10106986	EMBF45-12-20-BG	RAL 7031	12	M20x1,5	12 mm	23 mm	22 mm	63,8 mm	tak	50
10106987	EMBF45-17-20-BG	RAL 7031	17	M20x1,5	12 mm	30 mm	27 mm	69,4 mm	tak	50
10106988	EMBF45-17-25-BG	RAL 7031	17	M25x1,5	12 mm	30 mm	27 mm	69,3 mm	tak	50
10106989	EMBF45-23-25-BG	RAL 7031	23	M25x1,5	12 mm	36 mm	36 mm	80,9 mm	tak	25
10106990	EMBF45-23-32-BG	RAL 7031	23	M32x1,5	12 mm	36 mm	36 mm	81,9 mm	tak	25
10106991	EMBF45-29-32-BG	RAL 7031	29	M32x1,5	12 mm	46 mm	41 mm	88,5 mm	tak	10
10106992	EMBF45-29-40-BG	RAL 7031	29	M40x1,5	12 mm	46 mm	41 mm	87,5 mm	tak	10
10106993	EMBF45-36-40-BG	RAL 7031	36	M40x1,5	12 mm	50 mm	50 mm	96,5 mm	tak	10
10106994	EMBF45-36-50-BG	RAL 7031	36	M50x1,5	14 mm	50 mm	50 mm	98,5 mm	tak	10
10106995	EMBF45-48-50-BG	RAL 7031	48	M50x1,5	14 mm	65 mm	60 mm	107,9 mm	tak	5
10106996	EMBF45-48-63-BG	RAL 7031	48	M63x1,5	14 mm	70 mm	60 mm	108,3 mm	tak	5



EU DECLARATION OF CONFORMITY



WISKA Hoppmann GmbH
Kisdorfer Weg 28
24568 Kaltenkirchen
Germany



declares under the sole responsibility that the following product:

Product designation:	Plastic corrugated pipe fitting
Type designation:	*(*)BF*(*)-**-**
Approval number:	deleted
Description:	Plastic corrugated pipe fitting for electrical installations

corresponds to all the relevant provisions of the directives listed below and valid harmonized and / or international and national standards - including all applicable changes at this time of issuing this document.

Directive	Standard
2014/35/EU Electrical apparatus (Low voltage directive)	EN 61386-1:2008 + A1:2019 EN 61386-23:2004 + A11:2010
2014/34/EU Equipment and protective systems intended for use in potentially explosive atmospheres (ATEX)	Not applicable acc. to article 1, para. 1
2014/30/EU Electromagnetic compatibility (EMC directive)	Not applicable acc. to article 2, para. 2d)
2011/65/EU Use of certain hazardous substances (RoHS II)	EN IEC 63000:2018

Name and address of the person who is authorized to compile the technical documentation together:

WISKA Hoppmann GmbH
Kisdorfer Weg 28
24568 Kaltenkirchen / Germany

Kaltenkirchen, 2020-08-06



 Head of Development CAS



CERTIFICATE OF COMPLIANCE

Certificate Number 20190806-E502921
Report Reference E502921-20190730
Issue Date 2019-AUGUST-06

Issued to: WISKA Hoppmann GmbH
Kisdorfer Weg 28
24568 Kaltenkirchen Germany

**This certificate confirms that
representative samples of**

Component - Tubing, Mechanical Protection and Fittings
Refer to the Addendum Pages for Models

Have been investigated by UL in accordance with the component requirements in the Standard(s) indicated on this Certificate. UL Recognized components are incomplete in certain constructional features or restricted in performance capabilities and are intended for installation in complete equipment submitted for investigation to UL LLC.

Standard(s) for Safety: UL 1696, Mechanical Protection Tubing (Mpt) and Fittings
CSA C22.2 NO. 227.3-15, Nonmetallic Mechanical Protection Tubing (NMPT)

Additional Information: See the UL Online Certifications Directory at <https://iq.ulprospector.com> for additional information.

This *Certificate of Compliance* does not provide authorization to apply the UL Recognized Component Mark. Only the UL Follow-Up Services Procedure provides authorization to apply the UL Mark.

Only those products bearing the UL Recognized Component Mark should be considered as being UL Certified and covered under UL's Follow-Up Services.

Look for the UL Recognized Component Mark on the product.



Bruce Mahrenholz, Director North American Certification Program
UL LLC

Any information and documentation involving UL Mark services are provided on behalf of UL LLC (UL) or any authorized licensee of UL. For questions, please contact a local UL Customer Service Representative at <http://ul.com/aboutul/locations/>



CERTIFICATE OF COMPLIANCE

Certificate Number 20190806-E502921
Report Reference E502921-20190730
Issue Date 2019-AUGUST-06

This is to certify that representative samples of the product as specified on this certificate were tested according to the current UL requirements.

Component – Tubing, mechanical protection, BraceConduit BCA-S

Series: BraceConduit BCA-S		
Size	Color	
	Black	Blue-Gray
9.9	BCA-S-10-BK	BCA-S-10-BG
12.2	BCA-S-12-BK	BCA-S-12-BG
16.6	BCA-S-17-BK	BCA-S-17-BG
23.2	BCA-S-23-BK	BCA-S-23-BG
29.0	BCA-S-29-BK	BCA-S-29-BG
36.0	BCA-S-36-BK	BCA-S-36-BG
47.7	BCA-S-48-BK	BCA-S-48-BG

Component – Fittings for Series BraceConduit BCA-S as described in Tables A - I.

Table A		
BraceFITTING EBFS, Straight		
Size	Color	
	Black	Gray
10	EBFS-10-12-BK	EBFS-10-12-BG
10	EBFS-10-16-BK	EBFS-10-16-BG
12	EBFS-12-16-BK	EBFS-12-16-BG
12	EBFS-12-20-BK	EBFS-12-20-BG
17	EBFS-17-20-BK	EBFS-17-20-BG
17	EBFS-17-25-BK	EBFS-17-25-BG
23	EBFS-23-25-BK	EBFS-23-25-BG
23	EBFS-23-32-BK	EBFS-23-32-BG
29	EBFS-29-32-BK	EBFS-29-32-BG
29	EBFS-29-40-BK	EBFS-29-40-BG
36	EBFS-36-40-BK	EBFS-36-40-BG
36	EBFS-36-50-BK	EBFS-36-50-BG
48	EBFS-48-50-BK	EBFS-48-50-BG
48	EBFS-48-63-BK	EBFS-48-63-BG



Bruce Mahrenholz, Director North American Certification Program
 UL LLC



Any information and documentation involving UL Mark services are provided on behalf of UL LLC (UL) or any authorized licensee of UL. For questions, please contact a local UL Customer Service Representative at <http://ul.com/aboutul/locations/>

CERTIFICATE OF COMPLIANCE

Certificate Number 20190806-E502921
Report Reference E502921-20190730
Issue Date 2019-AUGUST-06

Table B		
BraceFITTING EMBFS, straight		
Size	Color	
	Black	Gray
10	EMBFS-10-16-BK	EMBFS-10-16-BG
10	EMBFS-10-20-BK	EMBFS-10-20-BG
12	EMBFS-12-16-BK	EMBFS-12-16-BG
12	EMBFS-12-20-BK	EMBFS-12-20-BG
17	EMBFS-17-20-BK	EMBFS-17-20-BG
17	EMBFS-17-25-BK	EMBFS-17-25-BG
23	EMBFS-23-25-BK	EMBFS-23-25-BG
23	EMBFS-23-32-BK	EMBFS-23-32-BG
29	EMBFS-29-32-BK	EMBFS-29-32-BG
29	EMBFS-29-40-BK	EMBFS-29-40-BG
36	EMBFS-36-40-BK	EMBFS-36-40-BG
36	EMBFS-36-50-BK	EMBFS-36-50-BG
48	EMBFS-48-50-BK	EMBFS-48-50-BG
48	EMBFS-48-63-BK	EMBFS-48-63-BG

Table C		
BraceFITTING EMBFSI, straight		
Size	Color	
	Black	Gray
10	EMBFSI-10-16-BK	EMBFSI-10-16-BG
12	EMBFSI-12-16-BK	EMBFSI-12-16-BG
12	EMBFSI-12-20-BK	EMBFSI-12-20-BG
17	EMBFSI-17-20-BK	EMBFSI-17-20-BG
23	EMBFSI-23-25-BK	EMBFSI-23-25-BG
29	EMBFSI-29-32-BK	EMBFSI-29-32-BG
36	EMBFSI-36-40-BK	EMBFSI-36-40-BG
48	EMBFSI-48-50-BK	EMBFSI-48-50-BG



Bruce Mahrenholz, Director North American Certification Program
 UL LLC



Any information and documentation involving UL Mark services are provided on behalf of UL LLC (UL) or any authorized licensee of UL. For questions, please contact a local UL Customer Service Representative at <http://ul.com/aboutul/locations/>

CERTIFICATE OF COMPLIANCE

Certificate Number 20190806-E502921
Report Reference E502921-20190730
Issue Date 2019-AUGUST-06

Table D		
BraceFITTING 45° Angle, EBF45		
Size	Color	
	Black	Gray
10	EBF45-10-12-BK	EBF45-10-12-BG
10	EBF45-10-16-BK	EBF45-10-16-BG
12	EBF45-12-16-BK	EBF45-12-16-BG
12	EBF45-12-20-BK	EBF45-12-20-BG
17	EBF45-17-20-BK	EBF45-17-20-BG
17	EBF45-17-25-BK	EBF45-17-25-BG
23	EBF45-23-25-BK	EBF45-23-25-BG
23	EBF45-23-32-BK	EBF45-23-32-BG
29	EBF45-29-32-BK	EBF45-29-32-BG
29	EBF45-29-40-BK	EBF45-29-40-BG
36	EBF45-36-40-BK	EBF45-36-40-BG
36	EBF45-36-50-BK	EBF45-36-50-BG
48	EBF45-48-50-BK	EBF45-48-50-BG
48	EBF45-48-63-BK	EBF45-48-63-BG

Table E		
BraceFITTING 45° Angle, EMBF45		
Size	Color	
	Black	Gray
10	EMBF45-10-12-BK	EMBF45-10-12-BG
10	EMBF45-10-16-BK	EMBF45-10-16-BG
12	EMBF45-12-16-BK	EMBF45-12-16-BG
12	EMBF45-12-20-BK	EMBF45-12-20-BG
17	EMBF45-17-20-BK	EMBF45-17-20-BG
17	EMBF45-17-25-BK	EMBF45-17-25-BG
23	EMBF45-23-25-BK	EMBF45-23-25-BG
23	EMBF45-23-32-BK	EMBF45-23-32-BG
29	EMBF45-29-32-BK	EMBF45-29-32-BG
29	EMBF45-29-40-BK	EMBF45-29-40-BG
36	EMBF45-36-40-BK	EMBF45-36-40-BG
36	EMBF45-36-50-BK	EMBF45-36-50-BG
48	EMBF45-48-50-BK	EMBF45-48-50-BG
48	EMBF45-48-63-BK	EMBF45-48-63-BG



Bruce Mahrenholz, Director North American Certification Program
 UL LLC



Any information and documentation involving UL Mark services are provided on behalf of UL LLC (UL) or any authorized licensee of UL. For questions, please contact a local UL Customer Service Representative at <http://ul.com/aboutul/locations/>

CERTIFICATE OF COMPLIANCE

Certificate Number 20190806-E502921
Report Reference E502921-20190730
Issue Date 2019-AUGUST-06

Table F		
BraceFITTING 45° Angle, EMBF45I		
Size	Color	
	Black	Gray
12	EMBF45I-12-16-BK	EMBF45I-12-16-BG
12	EMBF45I-12-20-BK	EMBF45I-12-20-BG
17	EMBF45I-17-20-BK	EMBF45I-17-20-BG
23	EMBF45I-23-25-BK	EMBF45I-23-25-BG
29	EMBF45I-29-32-BK	EMBF45I-29-32-BG
36	EMBF45I-36-40-BK	EMBF45I-36-40-BG
48	EMBF45I-48-50-BK	EMBF45I-48-50-BG

Table G		
BraceFITTING 90° Angle, EBF90		
Size	Color	
	Black	Gray
10	EBF90-10-12-BK	EBF90-10-12-BG
10	EBF90-10-16-BK	EBF90-10-16-BG
12	EBF90-12-16-BK	EBF90-12-16-BG
12	EBF90-12-20-BK	EBF90-12-20-BG
17	EBF90-17-20-BK	EBF90-17-20-BG
17	EBF90-17-25-BK	EBF90-17-25-BG
23	EBF90-23-25-BK	EBF90-23-25-BG
23	EBF90-23-32-BK	EBF90-23-32-BG
29	EBF90-29-32-BK	EBF90-29-32-BG
29	EBF90-29-40-BK	EBF90-29-40-BG
36	EBF90-36-40-BK	EBF90-36-40-BG
36	EBF90-36-50-BK	EBF90-36-50-BG
48	EBF90-48-50-BK	EBF90-48-50-BG
48	EBF90-48-63-BK	EBF90-48-63-BG



Bruce Mahrenholz, Director North American Certification Program
 UL LLC



Any information and documentation involving UL Mark services are provided on behalf of UL LLC (UL) or any authorized licensee of UL. For questions, please contact a local UL Customer Service Representative at <http://ul.com/aboutul/locations/>

CERTIFICATE OF COMPLIANCE

Certificate Number 20190806-E502921
Report Reference E502921-20190730
Issue Date 2019-AUGUST-06

Table H		
BraceFITTING 90° Angle, EMBF90		
Size	Color	
	Black	Gray
10	EMBF90-10-12-BK	EMBF90-10-12-BG
10	EMBF90-10-16-BK	EMBF90-10-16-BG
12	EMBF90-12-16-BK	EMBF90-12-16-BG
12	EMBF90-12-20-BK	EMBF90-12-20-BG
17	EMBF90-17-20-BK	EMBF90-17-20-BG
17	EMBF90-17-25-BK	EMBF90-17-25-BG
23	EMBF90-23-25-BK	EMBF90-23-25-BG
23	EMBF90-23-32-BK	EMBF90-23-32-BG
29	EMBF90-29-32-BK	EMBF90-29-32-BG
29	EMBF90-29-40-BK	EMBF90-29-40-BG
36	EMBF90-36-40-BK	EMBF90-36-40-BG
36	EMBF90-36-50-BK	EMBF90-36-50-BG
48	EMBF90-48-50-BK	EMBF90-48-50-BG
48	EMBF90-48-63-BK	EMBF90-48-63-BG

Table I		
BraceFITTING 90° Angle, EMBF90I		
Size	Color	
	Black	Gray
10	EMBF90I-10-16-BK	EMBF90I-10-16-BG
12	EMBF90I-12-16-BK	EMBF90I-12-16-BG
12	EMBF90I-12-20-BK	EMBF90I-12-20-BG
17	EMBF90I-17-20-BK	EMBF90I-17-20-BG
23	EMBF90I-23-25-BK	EMBF90I-23-25-BG
29	EMBF90I-29-32-BK	EMBF90I-29-32-BG
36	EMBF90I-36-40-BK	EMBF90I-36-40-BG
48	EMBF90I-48-50-BK	EMBF90I-48-50-BG



Bruce Mahrenholz, Director North American Certification Program
 UL LLC



Any information and documentation involving UL Mark services are provided on behalf of UL LLC (UL) or any authorized licensee of UL. For questions, please contact a local UL Customer Service Representative at <http://ul.com/aboutul/locations/>

Brace® System

Kunststoff-Sortiment / *Non-metallic range*

BraceFITTING



BraceCONDUIT



Metall-Sortiment / *Metallic range*

BraceFITTING

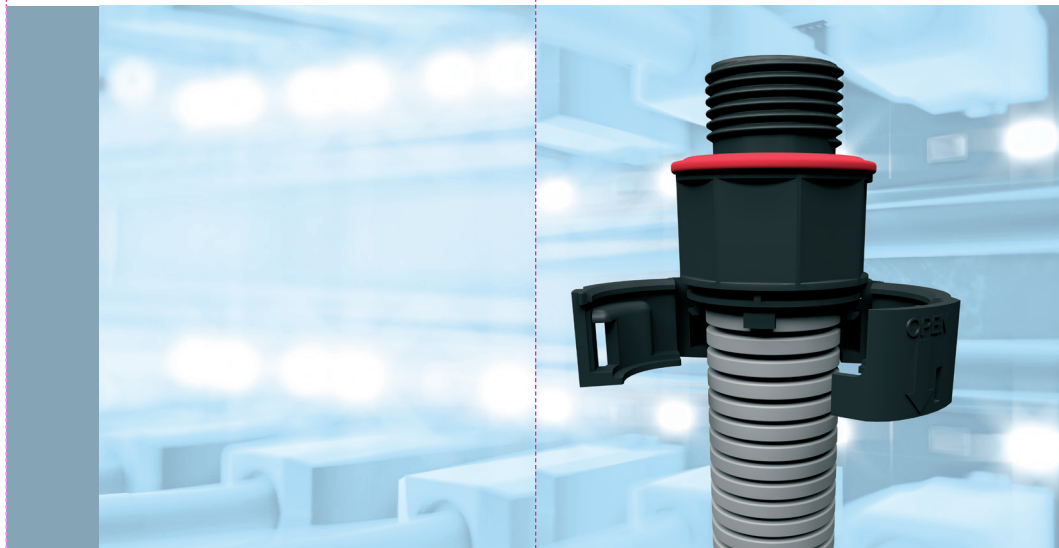


BraceCONDUIT



WISKA ®
make power smile

WISKA ®
make power smile



WISKA Hoppmann GmbH
Kisdorfer Weg 28
24568 Kaltenkirchen
Germany

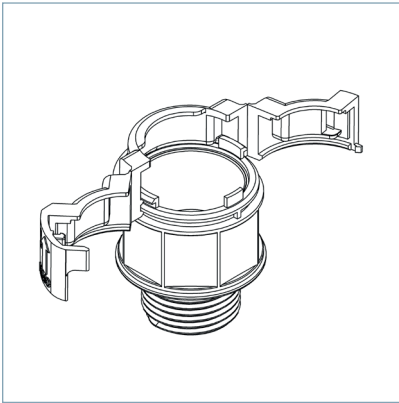
☎ +49-4191-508-0
📠 +49-4191-508-129

contact@wiska.de
www.wiska.com

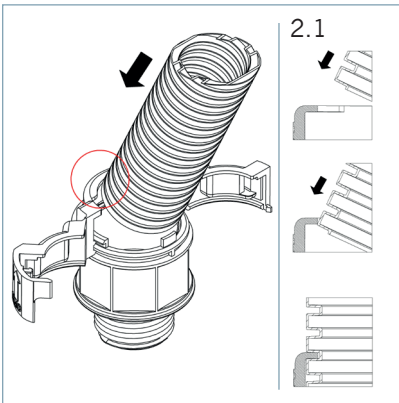
BraceFITTING

Wellrohrverschraubung /
Conduit Fitting

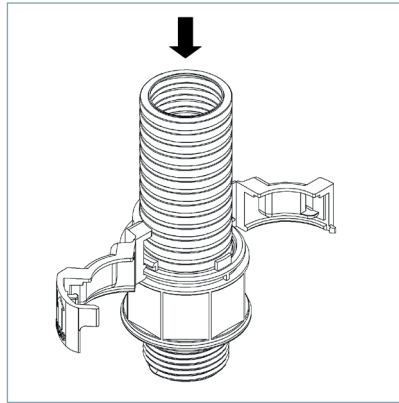
1.



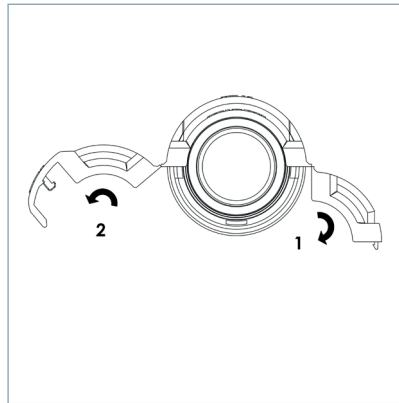
2.



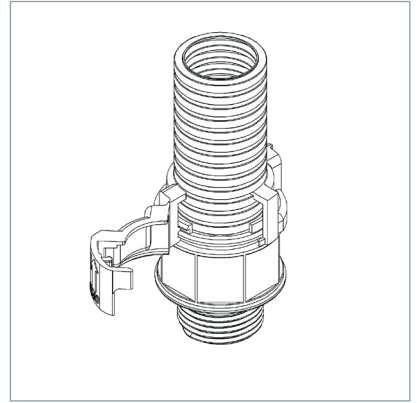
3.



4.



5.



6.

