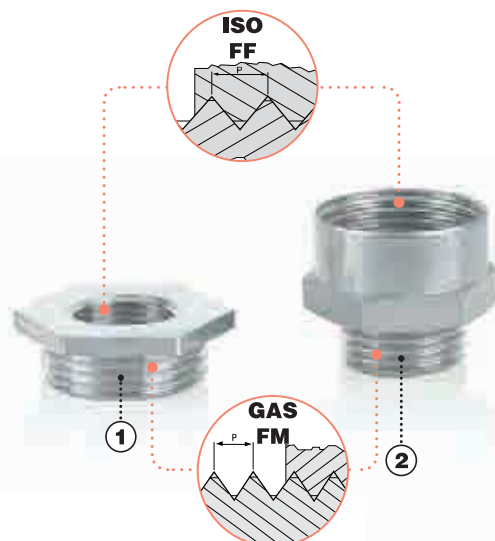
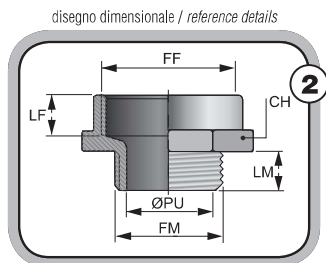
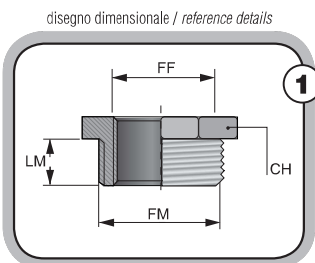


Riduzioni GAS-ISO

Reducers GAS-ISO



Settori di Impiego / Areas of application



Caratteristiche / Characteristics:

Una vasta gamma di accessori in ottone nichelato per utilizzare al meglio la nostra raccorderia, per risolvere i più disparati problemi di accoppiamento dei filetti, che possono presentarsi durante l'operatività giornaliera sugli impianti

A great variety of accessories made of nickel-brass to exploit at maximum level our fittings and to solve the great deal of combinations that can occur during the daily work on installations

Riduzioni GAS maschio/ISO femmina

Reducers GAS male/ISO female

Codice Code	Figura Image	Filetto maschio Male thread GAS ISO 228 FM	Filetto femmina Female thread METRICO ISO R68 FF	Esagono Hexagon CH	LM	LF	Passaggio utile Cable diameter Ø PU	Confezione Package
				mm	mm	mm	mm	N° pz.
60230	2	1/4"	M16*1,5	20	6,0	6,0	9,0	50
60231	2	3/8"	M16*1,5	20	6,0	6,0	9,0	50
60232	2	3/8"	M20*1,5	24	7,0	8,0	13,0	50
60233	1	1/2"	M16*1,5	24	8,0	-	-	50
60234	2	1/2"	M20*1,5	24	7,0	8,0	16,5	50
60235	2	1/2"	M25*1,5	30	7,0	8,0	16,5	50
60236	2	1/2"	M32*1,5	35	7,0	8,0	16,5	25
60237	1	3/4"	M20*1,5	30	8,0	-	-	50
60238	2	3/4"	M25*1,5	30	7,0	8,0	21,5	50
60239	2	3/4"	M32*1,5	35	7,0	8,0	21,5	25
60240	1	1"	M25*1,5	35	8,0	-	-	25
60241	2	1"	M32*1,5	35	7,0	8,0	27,5	25
60242	2	1"	M40*1,5	45	11,0	11,0	27,5	10
60243	1	1"1/4	M32*1,5	45	11,0	-	-	10
60244	2	1"1/4	M40*1,5	45	11,0	11,0	36,0	10
60245	2	1"1/2	M40*1,5	50	11,0	11,0	42,0	5
60246	2	1"1/2	M50*1,5	52	11,0	11,0	42,0	5