




## Grommets for DES 380 series

- ▶ Grommets for big diameter cables and corrugated pipes
- ▶ Cable diameters from 36 to 65 mm
- ▶ UL94-V0
- ▶ IP54



Model	Code	Ø Cable [mm]	Pcs /pack
			
SPH 0G	1731010278	0	1
SPH 38G	1731010281	36-39	
SPH 42G	1731010282	41-44	
SPH 46G	1731010283	43-48	
SPH 50G	1731010284	47-51	
SPH 54G	1731010285	52-56	
SPH 58G	1731010286	56-60	
SPH 62G	1731010287	60-65	

SPG grommets are used in DES380M and 380MX for cables or corrugated pipes from 36 to 65 mm diameter.

### Technical data

**Material:** TPE

**Flammability:** self-extinguishing acc. to UL94-V0 (grey or black)

**Temperature:** -40°C... +110°C (static)

**Features:** halogens and silicones free

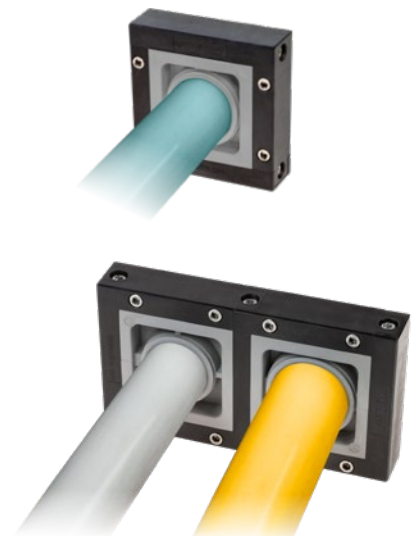
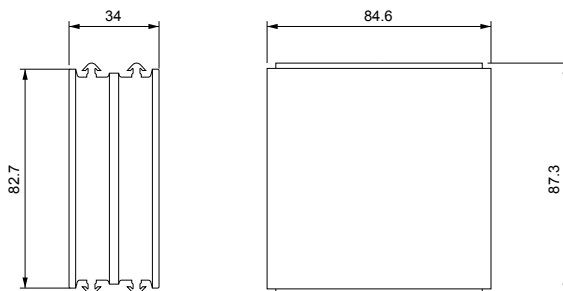
### Related products

DES 380M

DES 380MX

1

### Dimensions [mm]



IP54

NEMA 12



ECOLAB

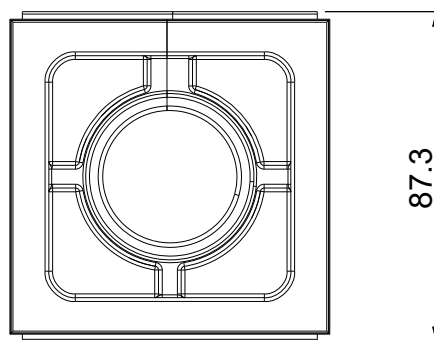
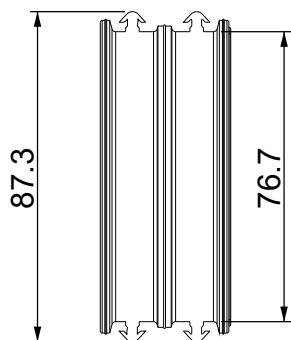
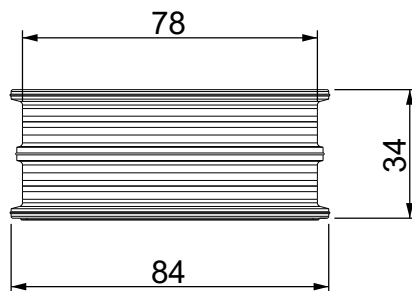
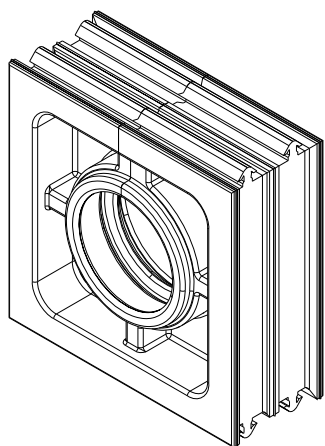


A

B

C

D



Grey		Ø Cable
Description	Code	[mm]
SPH 0G	1731010278	/
SPH 38G	1731010281	36-39
SPH 42G	1731010282	41-44
SPH 46G	1731010283	43-48
SPH 50G	1731010284	47-51
SPH 54G	1731010285	52-56
SPH 58G	1731010286	56-60
SPH 62G	1731010287	60-65

**Flammability:** UL94-V0, self-extinguishing  
**Temperature:** -40°C ... +110°C  
**Properties:** halogen-free, silicone-free



**IP54**

**NEMA 12**



**ECOLAB**



Codice / Code

see table

Descrizione / Description

SPH

Rev.

001

Materiale / Material

TPE

Colore / Color

grey

Peso / Weight (g)

-

Unità di misura / Measure units

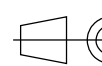
mm

Formato / Format

A4

Scala / Scale

1:2



UNI-ISO  
2768-mk



Data / Date  
21/05/2021

Numero foglio / Sheet number

-

Numero progetto / Project number

-

Disegn. / Drawn  
ravezzano@detas.com

Note / Notes

-

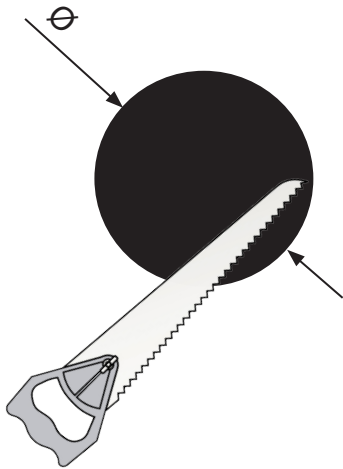
QUESTO DISEGNO E LE SUE INFORMAZIONI SONO STRETTAMENTE RISERVATE DI PROPRIETÀ DETAS SPA.  
NON UTILIZZARE PER SCOPI DIVERSI DA QUELLI PER CUI SONO STATE FORNITE. DO NOT SCALE DRAWING.

A

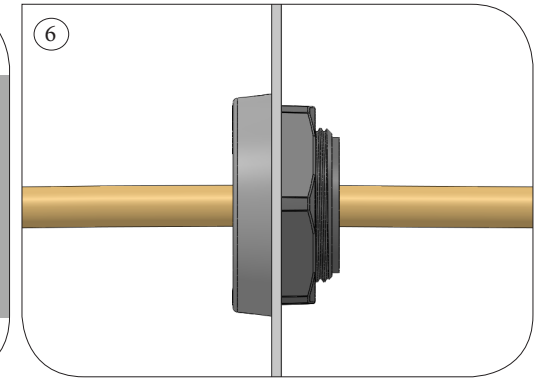
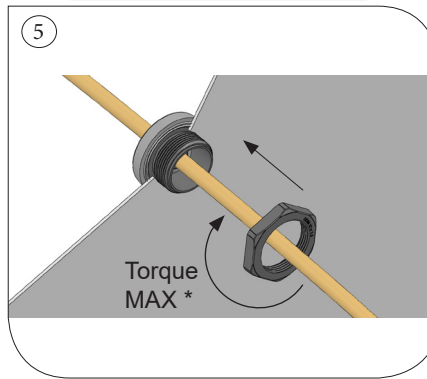
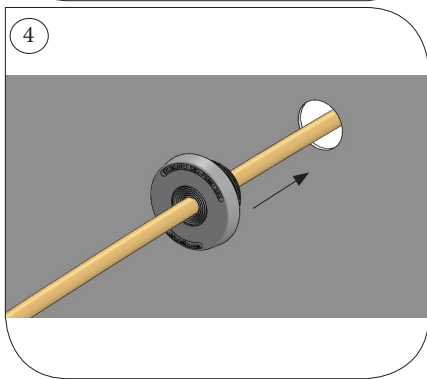
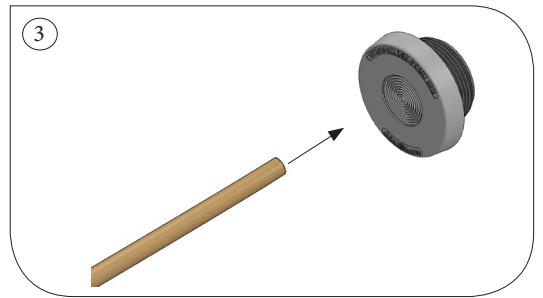
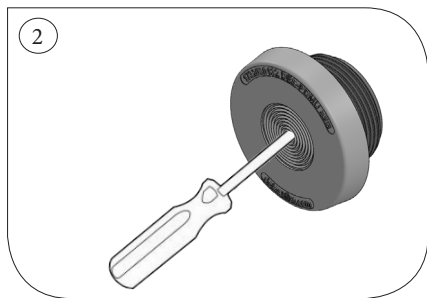
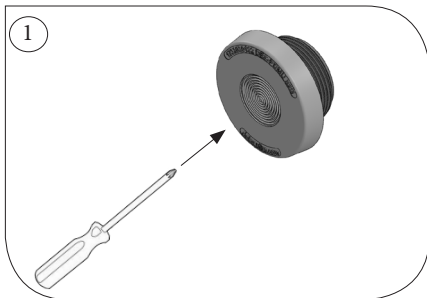
B

C

D



	Ø ± 0,5 mm
DES PDM U 20	20.5
DES PDM U 25	25.5
DES PDM U 32	32.5



Model	Torque MAX *
DES PDM U 20	3.5 Nm
DES PDM U 25	4.5 Nm
DES PDM U 32	6.5 Nm