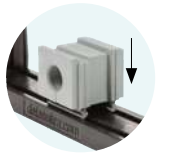




NEW

Modular frames for cables with and without connectors

- ▶ Multiple configurations with small and big grommets
- ▶ Frame screws in AISI304 Stainless Steel
- ▶ IP54
- ▶ Strain relief according to EN 62444
- ▶ Sturdy construction IK10
- ▶ External gasket included



Model	Code	Some possible configurations per module	Dimensions L x H [mm]	Max. cut-out [mm]	Pcs /pack
DES 16MX2	1731010262		120 x 115	86 x 92	10
DES 16MX3	1731010263		120 x 167	86 x 144	
DES 16MX4	1731010264		120 x 219	86 x 196	
Other models upon request					

The DES 16MX splittable frames family is a modular solution for installations where a big quantity of cables need to be routed through electrical cabinets walls or machines.

This solution is not only modular but it is also a general solution that can be adopted as main cables entrance. Both cables with or without connector can be routed (32 for each module) and future updates can easily be organized in the cheapest and fastest way.

Technical data

Material: PP+GF

Flammability: self-extinguishing acc. to UL94-V0

Temperature: -40°C... +155°C (static)

Features: halogens and silicones free

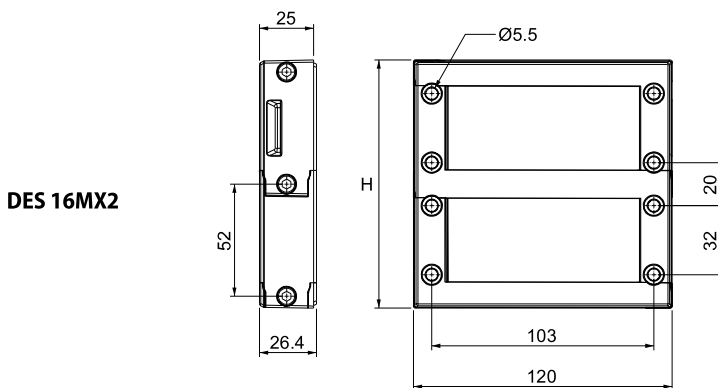
Related products

SPG grommets (from page 38)

SPP grommets (from page 31)

Upon request:	1731991020	Set of 4 mounting screws in AISI304 with Black Dacromet finishing	10
---------------	------------	---	----

Dimensions [mm]



IP54

NEMA 12



ECOLAB



IK10