



# DES 24 CLICK



Splittable frame for cables with and without connectors

## FEATURES

- For small and big grommets
- Without screws, snap closing
- Strain relief according to EN 62444
- Compact size
- IP54
- External gasket acc. to UL94-V0 included
- UL94-V0 for both grey and black grommets



The DES 24 CLICK splittable frame allows to accommodate up to 40 cables with or without connectors with diameters from 2 to 31 mm.

The frame is firmly closed with two side hooks. The frame accepts 10 small grommets or 1 big grommet and 6 small grommets.

**Material:** PC+GF, halogens and silicones free

**Flammability:** self-extinguishing acc. to UL94-V0

**Temperature:** -40°C... +155°C (static)

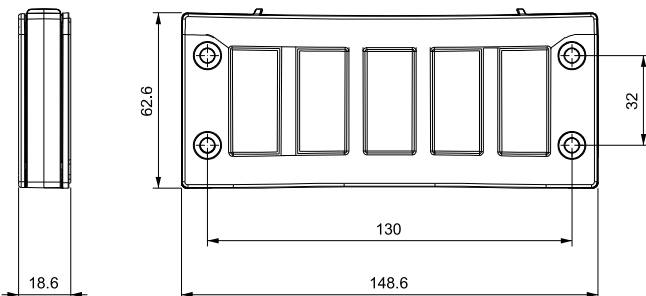
## RELATED PRODUCTS

- SPC grommets (from page 41)
- SPL grommets (from pages 44)
- HY360 hydraulic punch driver (page 139)
- PF/PFX cable entry system plates (from page 140)

Model	Code	Some possible configurations	Max. cut-out (mm)	Pcs (/pack)
DES 24 CLICK	1731010324		112 x 36	10
DES 24/2 CLICK	1731010326			
Upon request	1731991020	Set of 4 mounting screws in AISI304 with Black Geomet finishing		

NEW

## Dimensions (mm)



## Tutorial



DES 24/2 CLICK



IP54

NEMA 12



UL94-V0



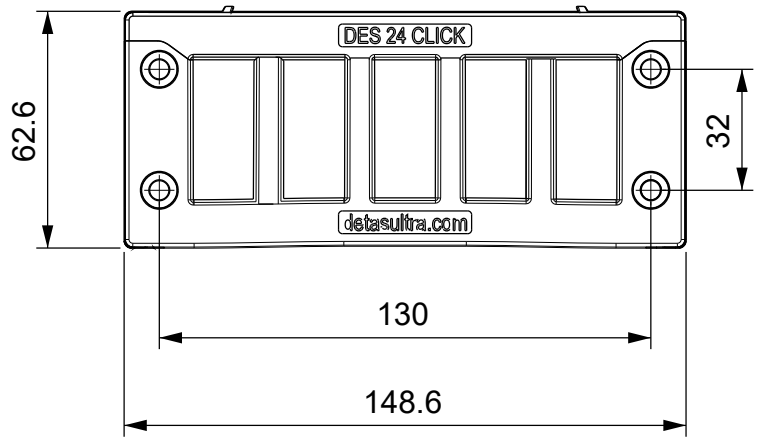
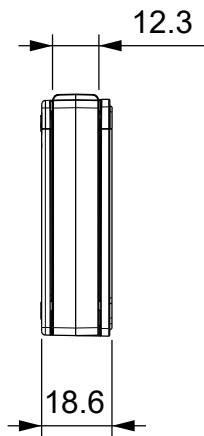
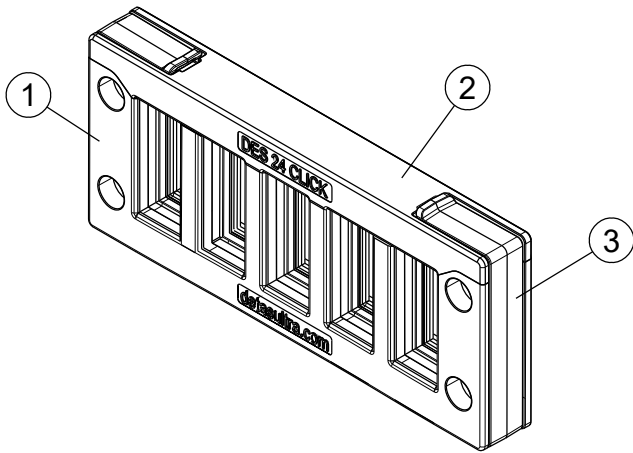
IK10

A

B

C

D



Id	Description	Material	Q.ty
1	Body	PP+GF	1
2	Cap	PP+GF	1
3	Clip	PP+GF	2
4	Gasket (not shown)	NBR	1

**Flammability:** UL94-V0, self-extinguishing  
**Temperature:** -40°C ... +130°C  
**Properties:** halogen-free, silicone-free

Recommended cut-out:  
112 x 36 mm



C **UL** US  
pending

**IP54**

**NEMA 12**

**HL3**  
EN 45545-2

APPROVED **R**  
MARINE TYPE

**ECOLAB**

**UL94-V0**

**UV**  
ISO 4892-2A

**RoHS**  
COMPLIANT

**IK10**

Codice / Code

**1731010324**

Descrizione / Description

**DES 24 CLICK**

Rev.  
001

Materiale / Material  
see table

Colore / Color  
Black

Peso / Weight (g)  
-

Unità di misura / Measure units  
mm

Formato / Format  
A4

Scala / Scale  
1:2

 UNI-ISO  
2768-mk

 **DETASULTRA**  
www.detasultra.com

QUESTO DISEGNO E LE SUE INFORMAZIONI SONO STRETTAMENTE RISERVATE DI PROPRIETÀ DETAS SPA. NON UTILIZZARE PER SCOPI DIVERSI DA QUELLI PER CUI SONO STATE FORNITE. DO NOT SCALE DRAWING.

Data / Date  
22/10/2021

Numero foglio / Sheet number  
-

Numero progetto / Project number  
-

Disegn. / Drawn  
ravezzano@detas.com

Note / Notes  
-

A

B

C

D

