



DES 16 CLICK



Splittable frame for cables with and without connectors

FEATURES

- For small and big grommets (same frame)
- Without screws, snap closing
- Strain relief according to EN 62444
- Compact size
- IP54
- External gasket acc. to UL94-V0 included
- UL94-V0 for both grey and black grommets



The DES 16 CLICK splittable frame allows to accommodate up to 32 cables with or without connectors with diameters from 2 to 32 mm.

The frame is firmly closed with two side hooks. The frame accepts 8 small grommets or 1 big grommet and 4 small grommets.

Material: PC+GF, halogens and silicones free

Flammability: self-extinguishing acc. to UL94-V0

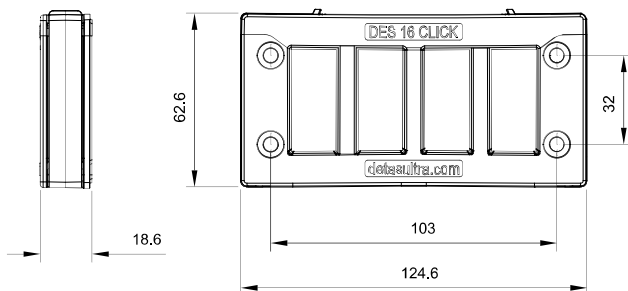
Temperature: -40°C... +155°C (static)

RELATED PRODUCTS

- SPC grommets (from page 41)
- SPL grommets (from pages 44)
- HY360 hydraulic punch driver (page 139)
- PF/PFX cable entry system plates (from page 140)

Model	Code	Some possible configurations	Max. cut-out (mm)	Pcs (/pack)
DES 16 CLICK	1731010316		86 x 36	10
NEW DES 16/2 CLICK	1731010317			
Upon request	1731991020	Set of 4 mounting screws in AISI304 with Black Geomet finishing		

Dimensions (mm)



Tutorial



DES 16/2 CLICK



IP54

NEMA 12

ECOLAB

UL94-V0

UV ISO 4892-2A

RoHS COMPLIANT

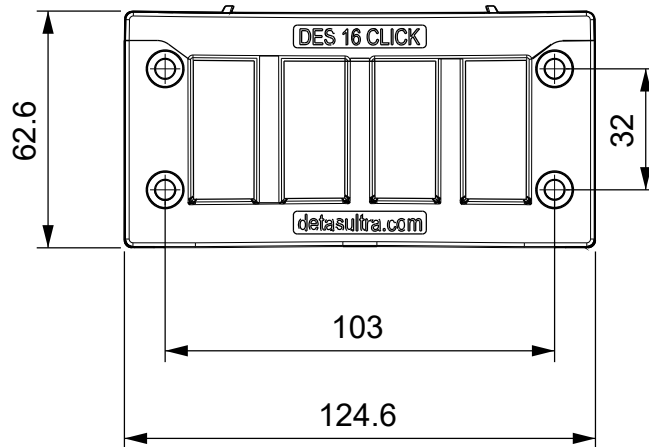
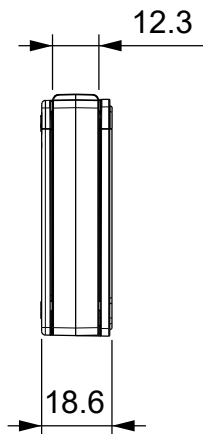
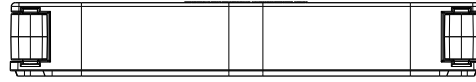
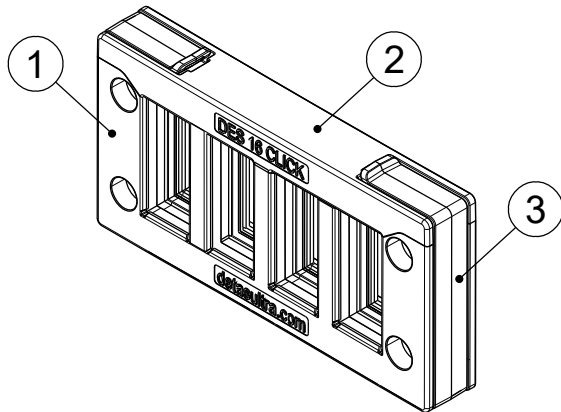
IK10

A

B

C

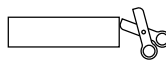
D



Id	Description	Material	Q.ty
1	Body	PP+GF	1
2	Cap	PP+GF	1
3	Clip	PP+GF	2
4	Gasket (not shown)	NBR	1

Flammability: UL94-V0, self-extinguishing
Temperature: -40°C ... +130°C
Properties: halogen-free, silicone-free

Recommended cut-out:
86x 36 mm



C US
pending

IP54

NEMA
12

HL3
EN 45545-2

APPROVED
MARINE TYPE

ECOLAB

UL94-V0

UV
ISO 4892-2A

RoHS
COMPLIANT

IK10

Codice / Code

1731010316

Descrizione / Description

DES 16 CLICK

Rev.
001

Materiale / Material
see table

Colore / Color
Black

Peso / Weight (g)
-

Unità di misura / Measure units
mm

Formato / Format
A4

Scala / Scale
1:2



Data / Date
18/02/2022

Numero foglio / Sheet number

-

Numero progetto / Project number

-

Disegn. / Drawn
ravezzano@detas.com

Note / Notes

-

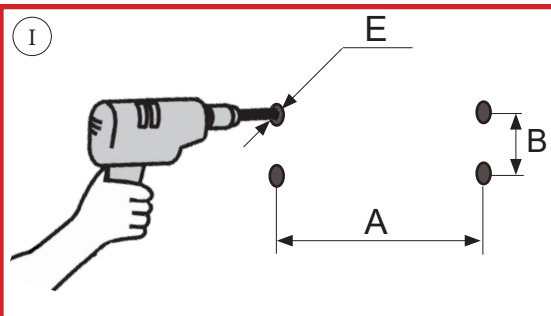
QUESTO DISEGNO E LE SUE INFORMAZIONI SONO STRETTAMENTE RISERVATE DI PROPRIETA' DETAS SPA.
NON UTILIZZARE PER SCOPI DIVERSI DA QUELLI PER CUI SONO STATE FORNITE. DO NOT SCALE DRAWING.

A

B

C

D



Manual for:
DES XX CLICK

	A mm	B mm	C ± 0,5mm	D ± 0,5mm	E mm
DES 24 CLICK	130	32	112	36	Ø5 ^{+0.20} _{-0.05}
DES 16 CLICK	103	32	86	36	Ø5 ^{+0.20} _{-0.05}
DES 10 CLICK	83	32	63	36	Ø5 ^{+0.20} _{-0.05}
DES Q CLICK	58	32	40	36	Ø5 ^{+0.20} _{-0.05}

