



# OSF 50/63



## Divisible cable gland with locknut

### FEATURES

- M50 and M63 metric size
- Without screws
- IP54
- Locknut and gasket included
- Suitable for small or big grommets
- Available colors: grey and black

OSF50 and OSF63 are divisible cable glands with metric thread especially designed for cables with connectors.

Is it possible to route up to 16 cables with connectors.

OSF50 and OSF63 can be equipped in the same frame with SPC grommets with single or multiple holes from 2 to 14 mm diameter or with SPL grommets from 12 to 29 mm diameter. Both black and grey frame and grommets comply with UL94V0.

**Material:** PC, halogens and silicones free

**Flammability:** self-extinguishing acc. to UL94-V0

**Temperature:** -40°C... +130°C (static)

### RELATED PRODUCTS

- SPC grommets (from page 41)
- SPL grommets (from page 44)
- HY360 hydraulic punch driver (page 139)
- Divisible locknuts (page 39-40)

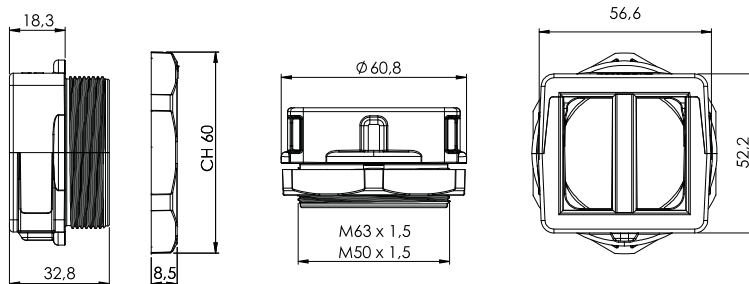


Model	Code	Max. grommet sizes				Max. cut-out (mm)	Pcs (/pack)
OSF50G	1731052350					50,5	10
OSF50B	1731052450	SPC 14	SPC 2 x 6	SPC 4 x 6	SPL 29		
OSF63G	1731052363						
OSF63B	1731052460						

### Some possible configurations



### Dimensions (mm)



### Tutorial

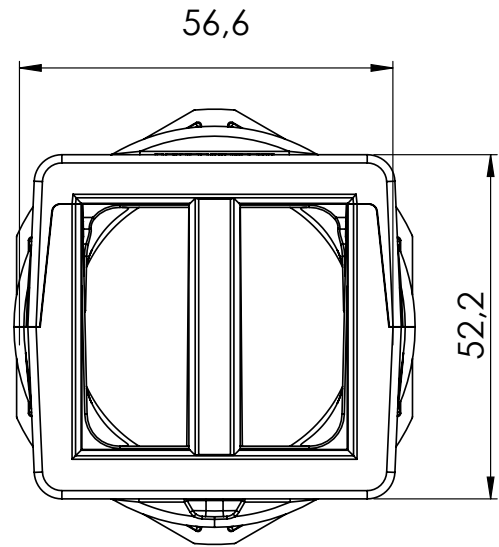
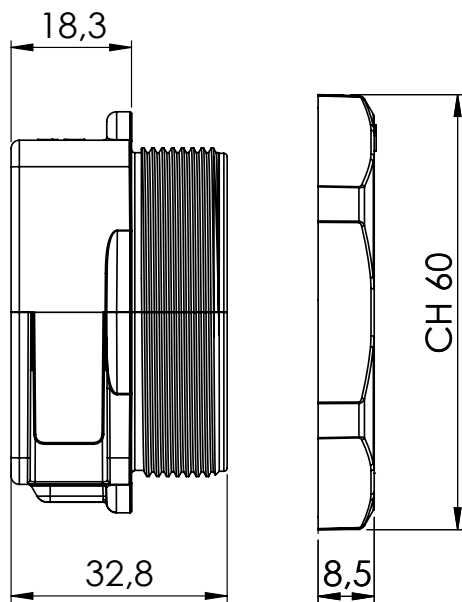
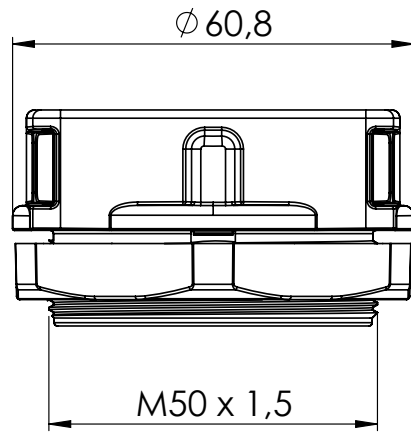
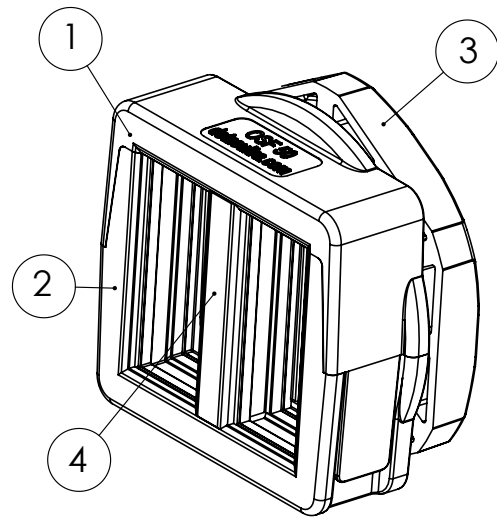


IP54

NEMA 12



IK10

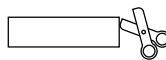


Id	Description	Material	Q.ty
1	OSF 50 Top	PC	1
2	OSF 50 Bottom	PC	1
3	M50 Locknut	PA	1
4	Central frame	PC	1
5	Gasket (not shown)	NBR	1

	<b>IP54</b>	<b>NEMA 12</b>	<b>UL TYPE 12</b>					<b>IK10</b>	
--	-------------	----------------	-------------------	--	--	--	--	-------------	--

**Flammability:** UL94-V0, self-extinguishing  
**Temperature:** -40°C ... +130°C  
**Properties:** halogen-free, silicone-free

**Recommended cut-out:**  
 Ø50.5mm



GREY color version:  
 1731052350 OSF 50G

Codice / Code  
**1731052450**

Descrizione / Description  
**OSF 50B**

Rev.  
 000

Materiale / Material: see table  
 Colore / Color: Black  
 Peso / Weight (g): -

Unità di misura / Measure units: mm  
 Formato / Format: A4  
 Scala / Scale: 1:1



Data / Date: 25/01/2023  
 Numero foglio / Sheet number: -  
 Numero progetto / Project number: -

Disegn. / Drawn: Pozzi F.  
 Note / Notes: -