




SPP multi-range grommets with pyramidal shape for cables without connectors

- ▶ Universal solution for cables without connectors from 18 to 34mm diameter
- ▶ Only one model covering cable diameter from 3to 34mm
- ▶ Can be used on all DES Frames and divisible cable glands
- ▶ IP66
- ▶ UL94-V0 for both grey and black colors

NEW



Model	Code	Thread	Pcs /pack
 SPG PG	1731020745	18-34	10
 SPG PB	1731020748		10

Thanks to the integrated metric thread, the SPP F series can be used as terminals for sensors, pneumatics, etc.

Technical data

Material: TPE, brass insert

Flammability: self-extinguishing acc. to UL94-V0

Temperature: -40°C... +110°C (static)

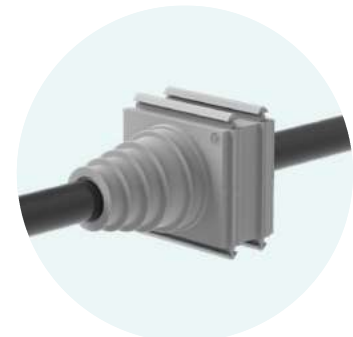
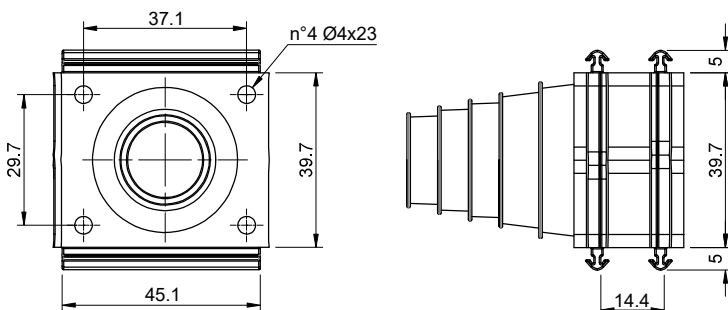
Features: halogens and silicones free

Related products

DES FRAMES

DESPRED

DESCCLICK 50



* Indoor only



IP66

NEMA 12, 4X



ECOLAB

