



DES FLAP CLICK



Fast fixing solution for DES splittable frames

- ▶ Snap fixing for the DES Series
- ▶ Gasket included
- ▶ Same holes position of the DES Systems
- ▶ IP54

NEW



Model	Code	Dimensions [mm]		Max. cut-out [mm]	Pcs /pack
		L1	L 2		
DES FLAP 24 CLICK	1731010424	156,6	68,1	112 x 39	10
DES FLAP 16 CLICK	1731010416	132,6	68,1	86 x 39	
DES FLAP 10 CLICK	1731010410	109	68,1	63 x 39	
DES FLAP Q CLICK	1731010408	84,6	68,1	40 x 39	

The DES FLAP CLICK solution enables the DES 24, 16, 10 Q CLICK frames to be installed with a quick snap-in connection.

The FLAP CLICK frame, once installed, hooks over the split frame and is the best solution for a flexible installation.

Enclosures can be inspected quickly and easily.

Technical data

Material: PC+GF

Flammability: self-extinguishing acc. to UL94-V0

Temperature: -40°C... +155°C (static)

Features: halogens and silicones free

Related products

DES 24 CLICK

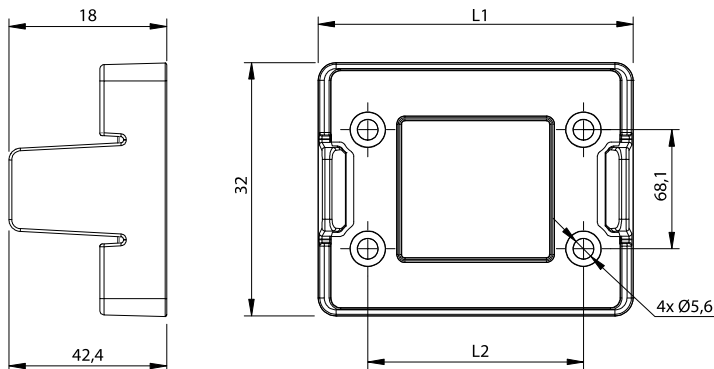
DES 16 CLICK

DES 10 CLICK

DES Q CLICK

1

Dimensions [mm]



IP54

NEMA 12

UL TYPE 12

ECOLAB

