



# DES PDPS



## Round base, cone-shaped cable entry plate with locknut

### FEATURES

- For diameters from 2,5 to 64 mm
- Reinforcing base plate
- Cost efficient solution
- UL94-V0 for grey and black
- ATEX version on request (Group 7)

The DES PDPS is available in M63 and M75 sizes, enabling non-terminated cables with diameter from 23 to 64 mm to pass through the walls of the electrical cabinets. The installation of the PDPS is made from the front part, not needing to screw a nut from the opposite part of the wall. The reinforced base plate increases the stability when large cables are used.

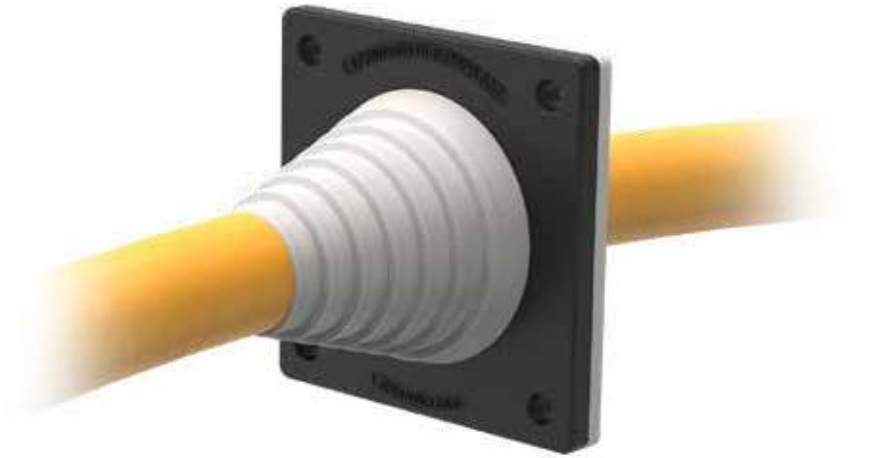
**Material:** TPE+PA, halogens and silicones free

**Flammability:** self-extinguishing acc. to UL94-V0

**Temperature:** -40°C... +110°C (static)

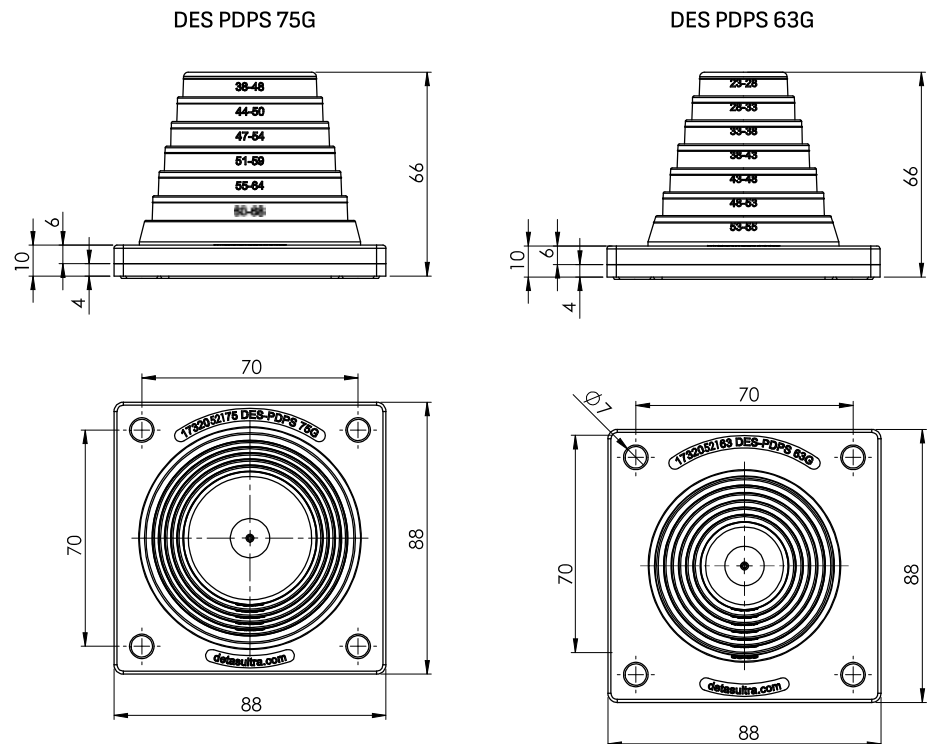
### RELATED PRODUCTS

- HY360 hydraulic punch driver (page 139)



Model	Code	Nr. Cables	Ø Cable min/max (mm)	Thread	Dimensions (mm)		Pcs x conf.
					Base	Height	
DES PDPS 63G	1732052163	1	23 / 55	M63	70 x 88	66	10
DES PDPS 75G	1732052175	1	38 / 64	M75	70 x 88	66	

### Dimensions (mm)



\* Indoor only



up to IP66

up to NEMA 12, 4X\*

UL TYPE 12

